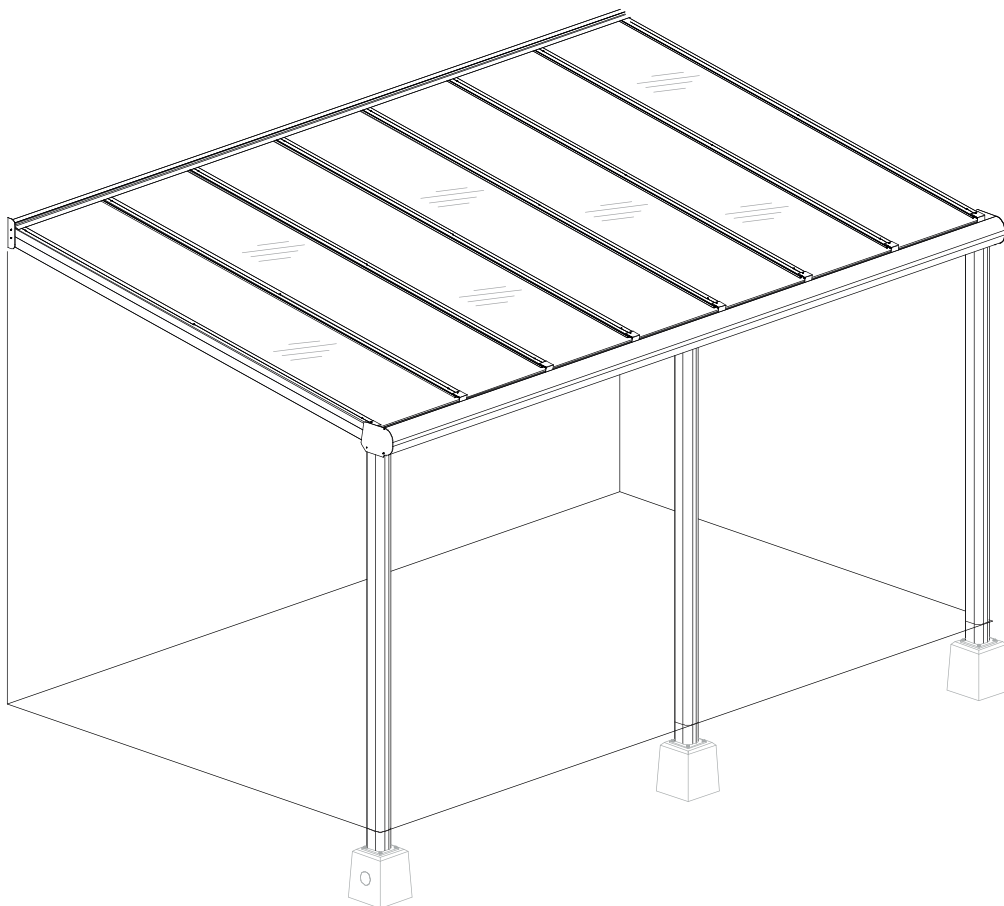




Operating / Assembly instructions Deponti Veranda

Type Pigato





Contents

1. Introduction.....	3
2. Safety precautions and warnings	3
3. Product description.....	5
4. Parts overview	6
4.1 Exploded view	6
4.2 Delivery inspection.....	6
4.3 Parts list	7
5. Preparation for assembly	9
5.1 Conditions for assembly	9
5.2 Check tools and accessories.....	11
5.3 Measuring & determining dimensions	12
5.3.1 Height adjustments	13
5.3.2 Projection of the veranda.....	13
5.4 Joining verandas	14
6. Assembly	16
6.1 mounting the wall profile.....	16
6.2 Pre-assembly of the gutter	18
6.2.1 Installing the leaf catcher in the gutter.....	18
6.2.2 Attaching the decorative profile to the gutter	19
6.2.3 Fitting steel strip in the gutter	20
6.3 Installing posts, gutter and side rails	21
6.3.1 Positioning posts on concrete bases.....	21
6.3.2 Installing the gutter.....	23
6.3.3 Installing the end beams.....	24
6.4 Installing the middle beams	26
6.5 Installation of glass panels	29
6.6 Finishing.....	32
7. Maintenance	36
8. Disposal of waste	36
9. Warranty conditions	36
10. Contact.....	36

This manual should be kept in a safe place for future reference!

For the duration and the terms and conditions of the warranty we recommend that you contact your Deponti partner. We also refer you to our General Terms and Conditions of Sale and Delivery which are available on request. Deponti B.V. accepts no liability for any damage or injury resulting from a failure to carefully follow the instructions in this manual or exercise due caution during transport, assembly, use and maintenance of the Veranda. As a result of our policy of continuous product improvement, certain product details may differ from what is described in this manual. For this reason the instructions provided only serve as a guideline for installation of the product this manual describes. This manual has been compiled with the utmost care, but Deponti B.V. cannot be held responsible for any errors in this manual or the consequences thereof. Furthermore, all rights are reserved and no part of this manual may be reproduced in any way whatsoever.



1. Introduction

A Pigato. Before you know it, it'll be assembled!

Your customer wants to enjoy their veranda as soon as possible. We understand that better than anyone. To achieve this, it is important to assemble it carefully. That is why we take you through this process in this step-by-step guide through the assembly process. We therefore advise you to read this manual as thoroughly as possible before you start the assembly. That way, you won't be faced with any surprises.

Before starting the assembly, check that all necessary parts are included. And take your safety, observe the applicable regulations. This will also ensure the safety of the installed veranda. If you have any questions, please do not hesitate to contact us.

Store this manual in a safe, dry and shaded place. In case of damage or loss, please request a new copy of the manual from Deponti.

2. Safety precautions and warnings

Important:

Please read the safety precautions and warnings before assembling the veranda.

- During assembly, carefully follow the instructions and guidelines as described in this manual. Never change the order of the steps to be performed. If any aspect of the assembly procedure is unclear, please contact your Deponti partner. We reserve the right to make technical changes without written notice.
- We normally recommend that the veranda must be assembled by at least two people (qualified technicians/authorized installers) working together.
- Check the delivery immediately upon receipt. In the event of damage or an incomplete delivery please contact your Deponti partner immediately.
- The materials must be stored in a dry, ventilated area, not exposed to direct sunlight.
- Open the packaging carefully. Make sure that you do not damage the product.
- To prevent damage to your veranda, place the parts on a smooth, clean surface. Place the profiles on a flat surface, protected from sun and rain.
- Never stand on the glass panels.
- The addition or removal of parts, or the use or installation of materials other than in the prescribed manner, may adversely affect the safety of the veranda and is therefore strongly discouraged!
- Cordon off the assembly location so that others are kept at a distance.
- Always wear the correct protective clothing (work gloves, dust mask, safety glasses, shoes with non-slip soles, etc.) when performing the work.
- Always place a ladder on a firm, stable surface.



-
- Mount the system against a firm, flat wall and on a flat, stable foundation or stone surface. Ensure that wall and ground are clean and dry.
 - Make sure all fasteners are properly tightened. Check this regularly.
 - Make sure you have applied sealant on the veranda so it is completely waterproof.
 - You must maintain and clean your veranda at least once a year.
 - Use plenty of water, soft material and a sponge for cleaning.
 - Use only neutral cleansers. No acids or alkalis.
 - Solvents (washing-up liquid and glass cleaner) can be used for removing greasy contamination.
 - Dispose of the product in accordance with local laws and regulations.
 - Deponti B.V. accepts no liability for damage or injury caused by failure to strictly follow the safety regulations and instructions in this manual or exercise due caution during assembly, use and maintenance of the product and any related accessories. Deponti B.V. is not responsible for any form of damage.



3. Product description

Elegant and classic. The Pigato is a veranda that offers an infinite sense of transparency and space.

The Pigato aluminium veranda consists of the following components: posts, gutter profile, wall profile, beams, glass panels, cover strips and the necessary mounting materials.

To support the glass panels, the gutter is fitted with a 20x100mm steel strip.

As standard, you can choose between round or classic decorative gutter and half-round or square posts.

The Pigato is available as standard in widths of 54060, 5060, 6060 or 7060 mm in one piece. It is possible to connect the Pigato infinitely using a gutter connector. The veranda can have a projection of 2500, 3000, 3500 or 4000 mm deep.

Details

Gutter	Round / Classic*
Posts	Half-round (110 x 110 mm) / Square (110 x 110 mm or 150 x 150 mm)
Colours	Cream white (RAL9001) / Creme White texture (RAL9016) / Antracite texture (RAL7024) / Black (RAL9005)
Roofing	44.2 safety glass / polycarbonate (Opal / Clear / Ultra-clear / Solar control)
Width (mm)	4060 / 5060 / 6060 / 7060 or a multitude thereof.
Projection (mm)	2500 / 3000 / 3500 / 4000 / 6000**

* Optionally, you can choose a straight gutter.

** For a Pigato with a projection of 6000 mm, you must sufficiently reinforce the beams yourself to achieve the projection

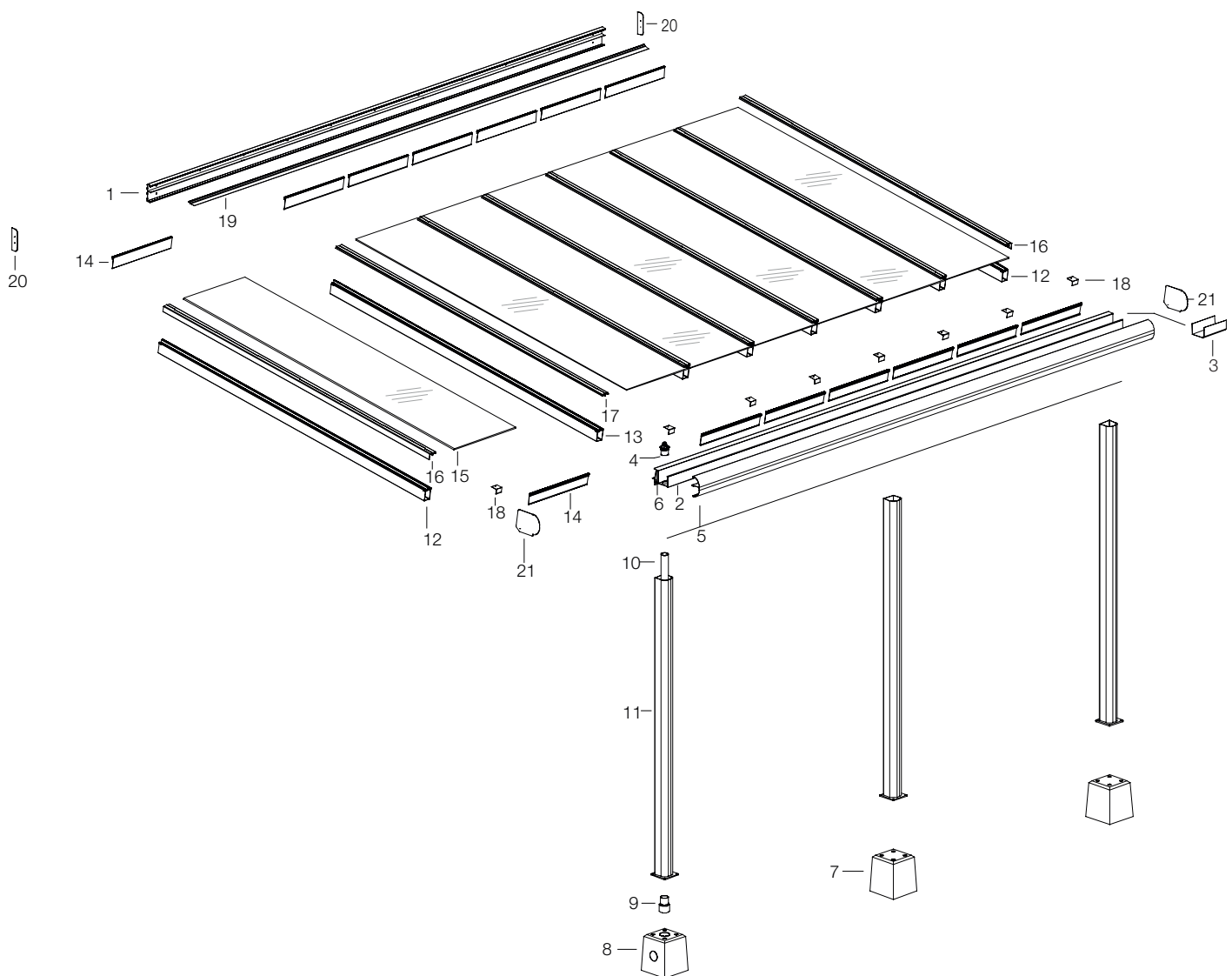
A Deponti veranda can be installed on any existing foundation or stone surface if it complies. For added strength or when there is no good foundation present, concrete bases can be used. These concrete bases can be easily installed out of sight under the posts with the supplied bolts.

The concrete bases are available with or without a rainwater discharge opening.



4. Parts overview

4.1 Exploded view



4.2 Delivery inspection

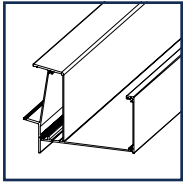
Good to know: This manual shows a Pigato veranda with example dimensions of 5x3 m, with the posts on a concrete base. This example is for illustrative purposes only. The type and number of parts supplied depends on your order.

Please note: Always carefully check the delivery note for the quantity and quality of the delivered parts. Any visible defects must be reported in writing within 7 days of delivery.

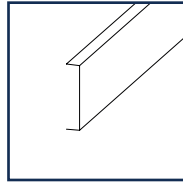


4.3 Parts list

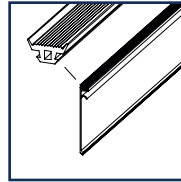
Below, we list which parts are packaged together. Please check the quantity and quality of the delivered parts carefully against the order form for each package.



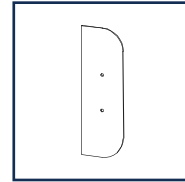
02. Gutter profile



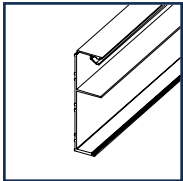
6. steel strip 20x100mm



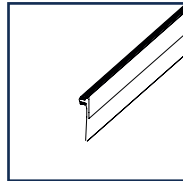
14. Finish cover



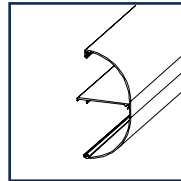
20. Side cover wall profile



01. Wall profile

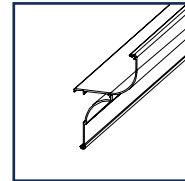


19. Wall profile rubber

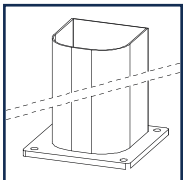


05. Round Gutter Cover

or

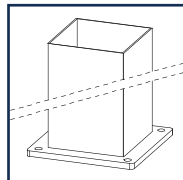


05A. Classic Gutter Cover

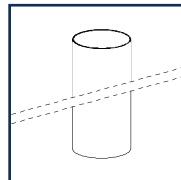


11. Post round with or without base

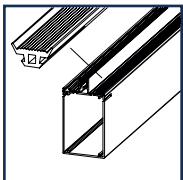
or



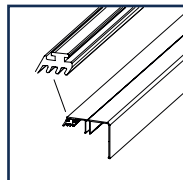
11A. Post square with or without base



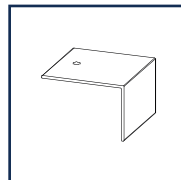
10. Rainwater discharge pipe $\varnothing 60$ mm



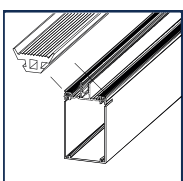
12. Side beam 1x sealing rubber



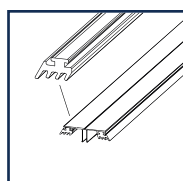
16. End cover strip 1x sealing rubber



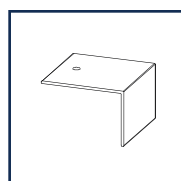
18. L-profile stopper



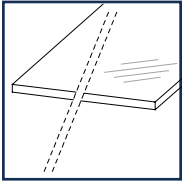
13. In between beam 2x sealing rubber



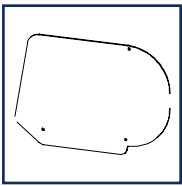
17. Top cover strip 2x sealing rubber



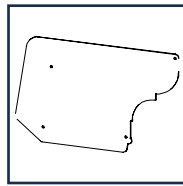
18. L-profile stopper



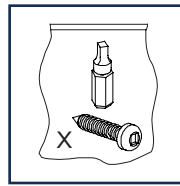
15. 44.2 laminated glass



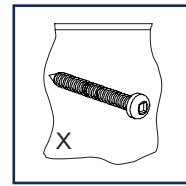
21. Side cover gutter profile round



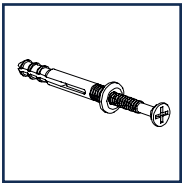
21A. Side cover gutter profile traditional



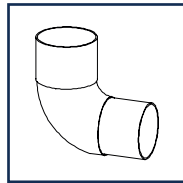
1x bag of screws short 4.2x16 + bit



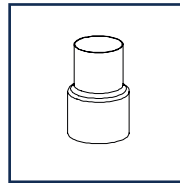
1x bag of screws long 4.2x40



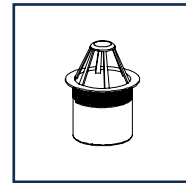
1x Set of frame fixing screws (Option)



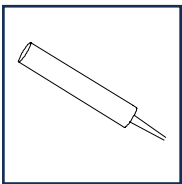
09. 90° RWD rainwater discharge sleeve



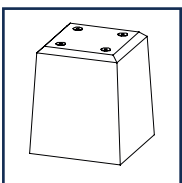
09A. rainwater discharge sleeve Reducer 60-80 (Optional)



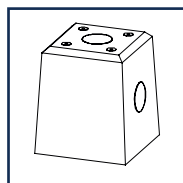
04. Leaf catcher 60 mm



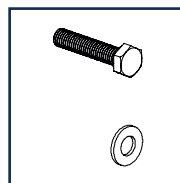
1x coloured sealant



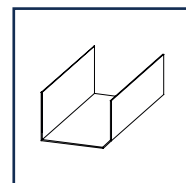
07. Concrete base (optional)



08. Concrete base with rainwater discharge (Optional)



Hex bolt M8x40 Washer (Option at foundation)



03. Gutter connector (Option)



5. Preparation for assembly

5.1 Conditions for assembly

Please note: The optimum processing temperature for the sealant is +5°C to +40°C.

Ground & façade

- A good flat stable surface is required for construction of the veranda.
- The location where the roof will be placed must be construction-ready and free of obstacles (garden furniture, flower boxes, etc.) so installers can perform their work without hindrance.
- Any obstacles, including utility lines (such as power cables, etc.), roots and debris, must have been removed from the ground.
- The façade must be free of sun shades, etc.
- The place where the wall profile will be placed must be firm, even and flat.

Dimensions & slope

- This Deponti roof should be installed with a slope of 15,7 cm per metre.
- The height of the wall profile and the passage height (distance from bottom of gutter to the ground) are completely dependent on each other and determined by this slope.
- The maximum length of the roof is 4 metres. However, keep in mind the requirements concerning the maximum free span and number of posts.

Posts & joined verandas

- Maximum distance between the posts is 4 metres.
- When verandas are joined, a post is always placed under the coupling.
- The rainwater discharge cannot be placed inside a post above which gutters are joined.

Attachments at walls

- Due to expansion of the materials, the veranda may not be placed tightly between two walls; there must be a gap of 1.5 mm per metre of width of the veranda.
- When concrete bases are used the posts cannot be placed against the wall, because the block is wider than the post.
- If you want to place a post against a wall, you must saw the flange off of one side and drill two new holes in the flange so that you can secure the post in four places.

Screws and drilling

- Deponti supplies special 4.2x19 mm and 4.2x40 mm stainless steel screws with the veranda.
Note: Pre-drill a hole for each screw with a 3 mm drill bit!
- If you continue to turn them after they are tight, the screw head may break off. It is recommended that you screw carefully, with the torque limiter on your drill set properly.

Note: Never drill and screw through the PVC rainwater discharge pipe in one of the posts.



Sealant

- Deponti supplies sealant in the colours cream and graphite grey. This supplied sealant has been specially selected for the waterproof sealing of aluminium to aluminium or to most common construction materials, such as walls, concrete, etc. Follow the instructions on the tube.
- Note: This sealant is not suitable for sealing the polycarbonate sheets. If you need to seal your sheets, because you have a rainwater discharge (downspout) pipe run through it for example, we have special transparent sealant in our range. This sealant is available from retailers.

Rubber seals

- A Deponti veranda is standard equipped with pre-assembled, colour-matched rubber seals. Before installation, the rubber seals for both the aluminium cover strips and the beams must be cut to length.
- If the rubber seals are deformed, they can be straightened again with a little heat, from a hot air heater or hair dryer for example.

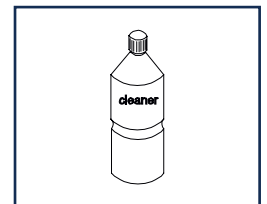
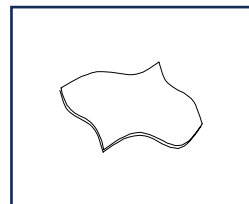
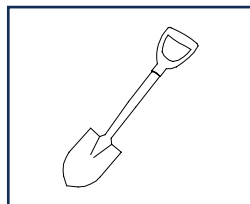
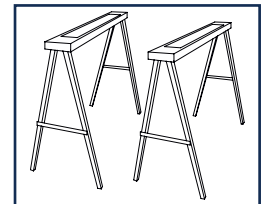
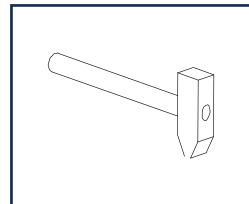
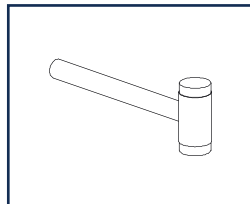
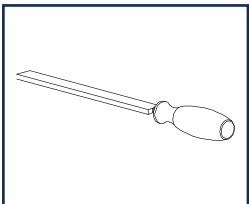
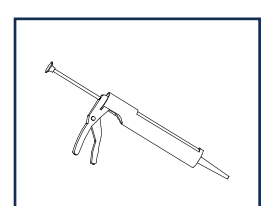
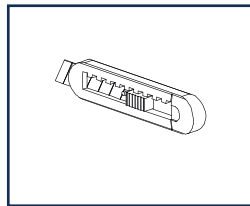
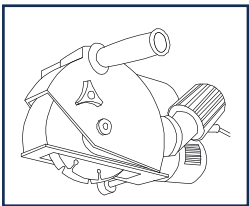
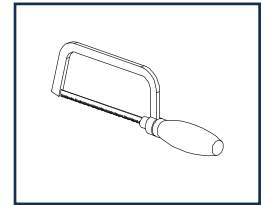
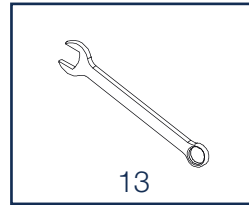
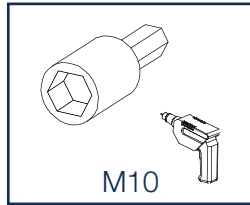
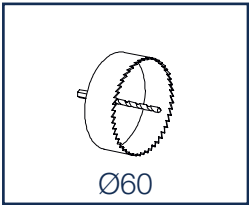
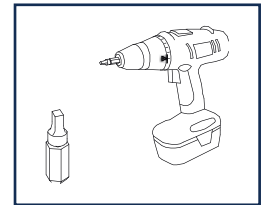
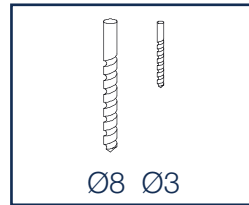
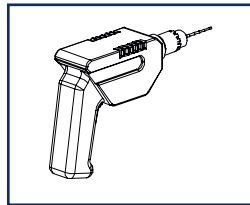
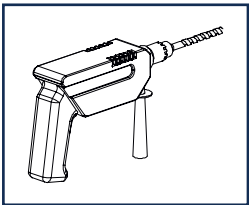
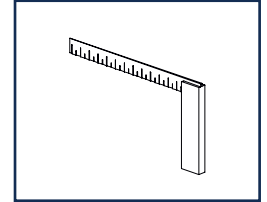
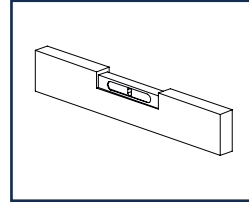
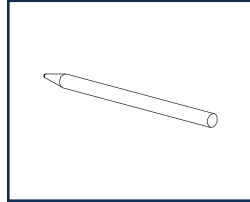
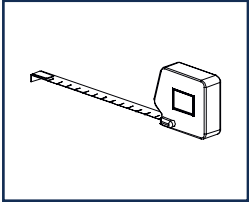
Remove protective film

- It is recommended that the protective film be removed from the aluminium parts at the last possible moment, to prevent damage. During installation the protective film must be pulled back a few centimetres from the edge so the film does not get stuck in the profiles; otherwise it will be difficult to remove later.

Warranty is void if the Pigato veranda is not assembled and installed in accordance with the instructions.

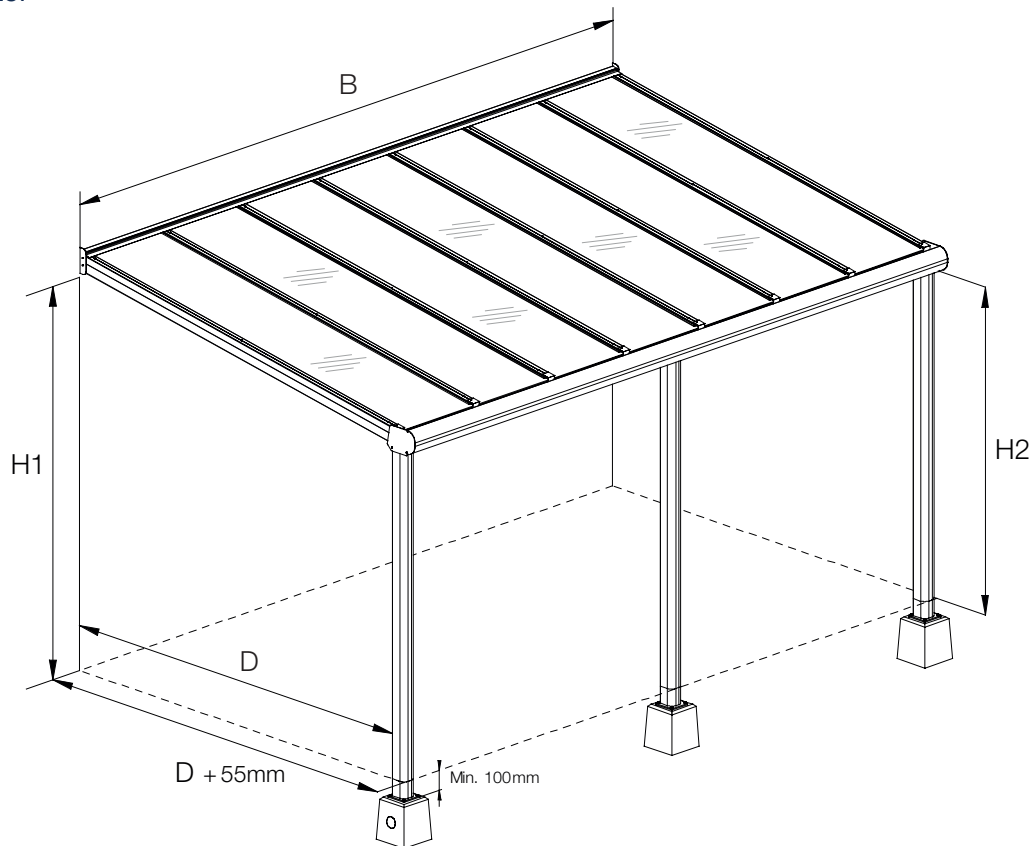


5.2 Check tools and accessories

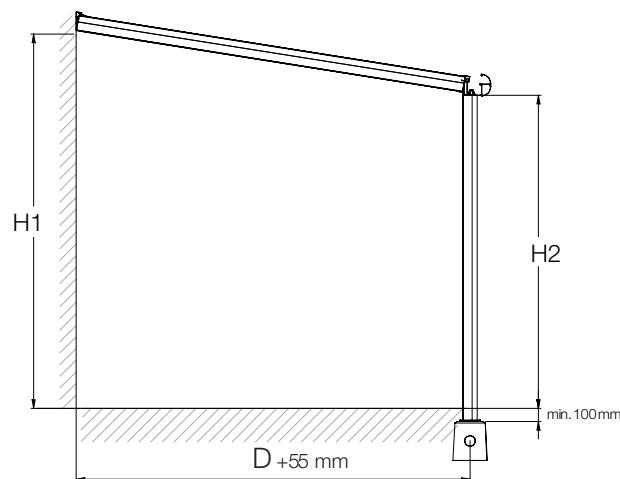


5.3 Measuring & determining dimensions

The Deponti veranda is available in a large range of sizes. Moreover, the roof has a modular design and can be quickly and easily made to size. However, please note that our current and future modular options are based on standard sizes. If you do not install your roof using the standard sizes, your options will also have to be adapted to size.



- B: Length of wall profile, gutter profile and decorative profile.
- H1: Height from ground to bottom of wall profile.
- H2: Height from ground to bottom of gutter profile (= passage height).
- L: Distance from back of wall profile to inside of post (= length).
- L + 55 mm: Distance from back of wall profile to centre of rainwater discharge pipe.





5.3.1 Height adjustments

A Deponti veranda is designed for a slope of 15,7 cm per metre. All the static strength calculations, as well as all sizes and dimensions in this manual, are based on this. The height of the wall profile and the passage height (distance from bottom of gutter to the ground) are completely dependent on each other and determined by this slope. However, these heights can be adjusted very easily while maintaining the slope.

If you are going to install your veranda based on the standard dimensions, you can use the dimension table below.

Projection veranda	Beam length (mm)	Distance from back of wall profile to inside of post (D)	Height from ground to bottom of gutter profile (H2)	Height from ground to bottom of wall profile (H1)
2.5 metres	2470	2443	2500	2911
3 metres	2970	2937	2500	2989
3.5 metres	3470	3431	2500	3067
4 metres	3970	3924	2500	3145
6 metres	6000	5929	2500	3463

If you choose to place the wall profile lower or make the passage height of the gutter lower, you must: Subtract the same number of centimetres from both of these measurements. So if your wall profile is mounted 300 mm lower, you must also shorten your posts by 300 mm.

If you want to reduce the passage height, you can easily shorten the length of the posts by making a square cut. However, you must then also mount the wall profile the same distance lower on the wall. The same applies if you decide to mount the wall profile lower on the wall.

Calculation example

There is a veranda with a projection of 3 metres. In this situation, you want to reduce the standard clearance height from 2500 mm to 2200 mm.

- Simply shorten the posts by 300 mm or place the posts 300 mm into the ground so that the bottom edge is at a gutter height of 2200 mm.
- The wall profile must therefore also be lowered by 300 mm.
- This means that the bottom of the wall profile must be placed at $2989 \text{ mm} - 300 \text{ mm} = 2689 \text{ mm}$.

5.3.2 Projection of the veranda

The basic dimensions of a Deponti canopy are approximate. The exact dimensions from the rear of the wall profile to the inside of the upright can be found in the table above. Example: A 3 metre drop canopy is not exactly 3 metres. Check the table above for exact sizes in centimetres.



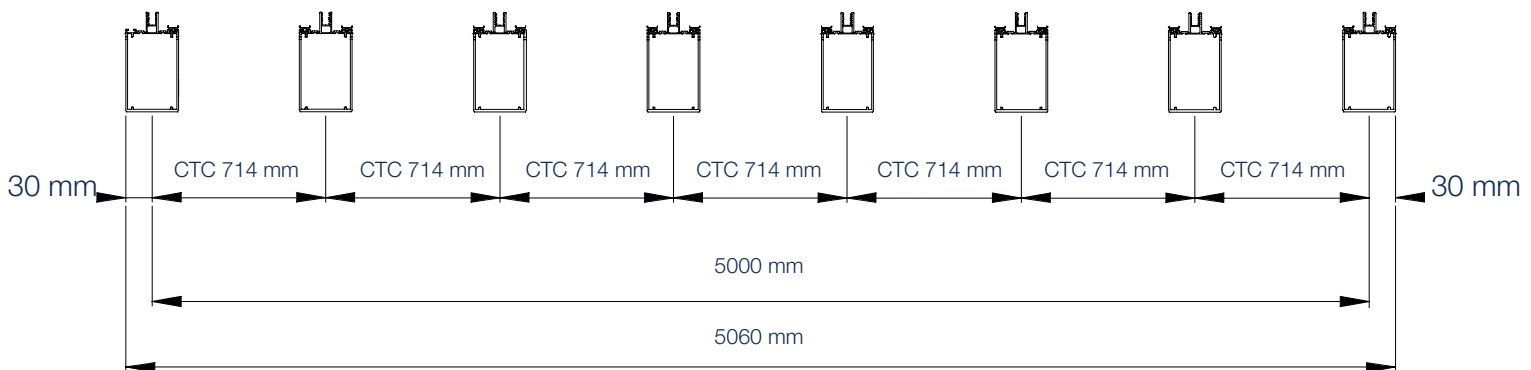
5.4 Joining verandas

There is no limit to the width in which the Deponti verandas can be delivered. This is because the verandas can be joined end to end.

In this case the gutter profile, wall profile and decorative profile are supplied in multiple lengths of 4060, 5060 or 6060 mm. The centre-to-centre distance of the beams, the number of sections and the glass width depend on the width of the Deponti veranda. The dimensions are shown in the table below.

Width dimension	Sections	CTC dimension beams	Glass width
4060	6	667	637
5060	7	714	684
6060	8	750	720
7060	9	778	748

The centre-to-centre distance between the beams of a Deponti veranda (5060 x 3000) is 714 mm. A roof with seven 714 mm sections has a total width of 5060 mm. The extra 60 mm is the distance from the centre of the beam to the outside of the beam, which is 30 mm; this extra width is at both ends, for a total of 60 mm.

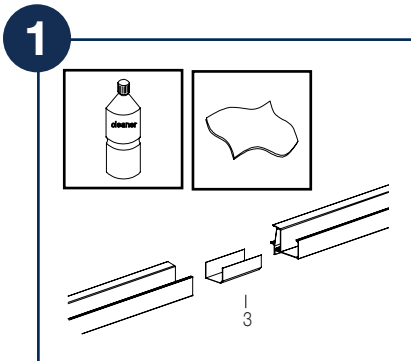
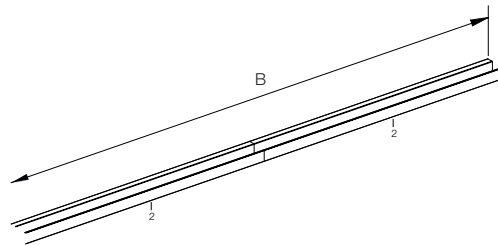




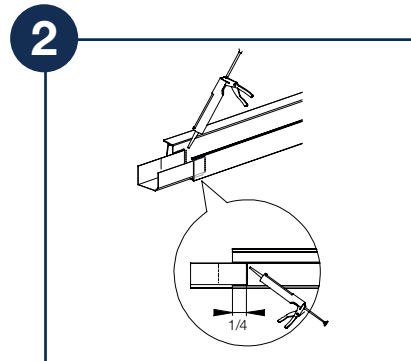
When standard size sheets are used, the total width of joined roofs must therefore also end with 60 mm, e.g. 8060, 9060, 10060, etc. So if you have ordered a roof with a width of 9060 mm, the delivery will consist of one 5060 mm gutter section and one 4060 mm gutter section. Together this is 9120 mm. You must ensure that the width ends with xx60, so these profiles must be shorted by a total of 60 mm before installation. This can be done by removing 30 mm from both sections: 5030 mm + 4030 mm = 9060 mm. You can also choose to shorten one profile by 60 mm. 5060 mm + 4000 mm = 9060 mm.

This shortening applies to the wall profile, gutter profile and decorative profile. After this shortening the further assembly is identical to that for a normal roof.

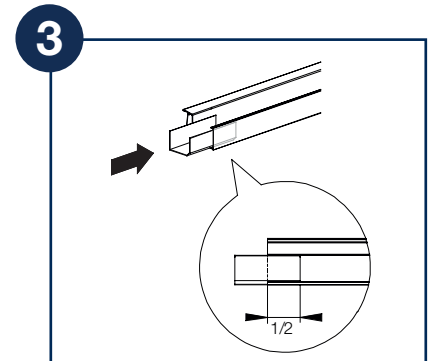
It is recommended that you join the gutter sections with the supplied gutter extension before installation. The installation steps are shown below:



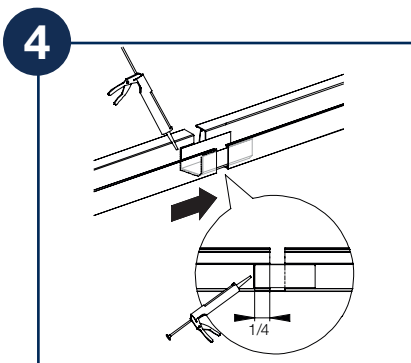
Clean and degrease the gutter and gutter extension.



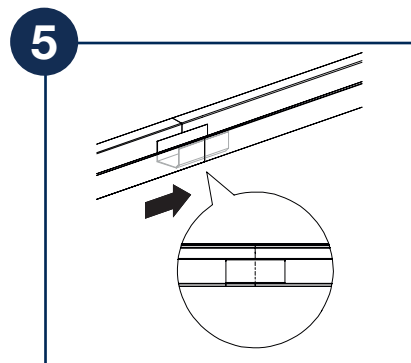
Insert the gutter extension $\frac{1}{4}$ of the way into the gutter and sealant on the inside edge.



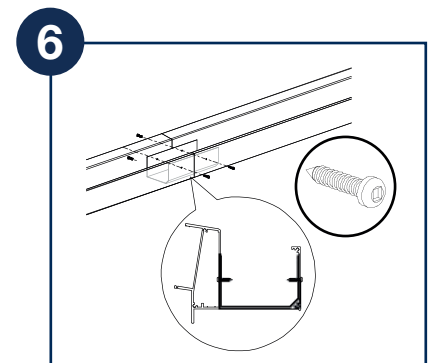
Now press the gutter extension further until it is half way into the gutter.



Insert the second gutter $\frac{1}{4}$ of the way into the other side of the connector and sealant the edge.



Now press the second gutter extension completely over the gutter extension to form a seamless joint between the gutters.



The gutter extension can now be secured with the short stainless steel screws in the chamber of the gutter and on the front side under the decorative profile. Apply sealant on the assembly so it is smooth and waterproof!



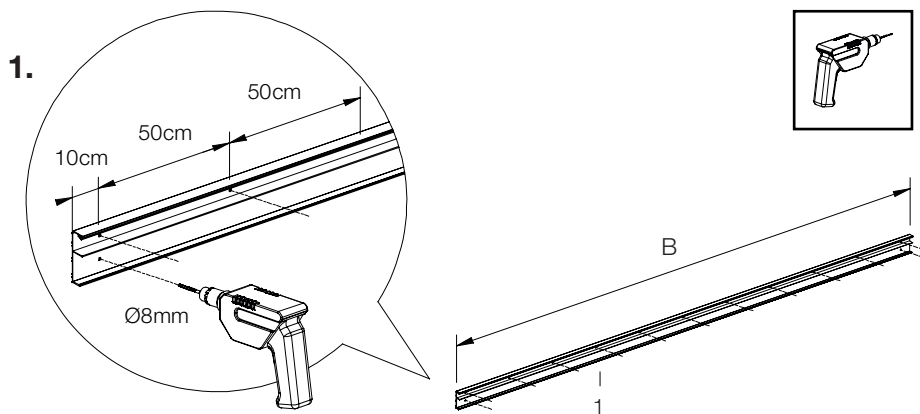
6. Assembly

6.mounting the wall profile

If the wall profile does not need to be shortened, you can mount it straight away. Otherwise you must first cut the wall profile to the desired length. Do not place the supplied rubber strip in the wall profile yet; this rubber strip is fit in place after mounting.

Step 1

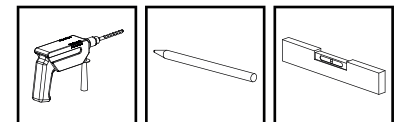
Drill holes in the wall profile at 50 cm intervals. Begin approximately 10 cm from one end and finish approximately 10 cm from the other end. Use a metal drill bit with a diameter of 8 mm.



Step 2

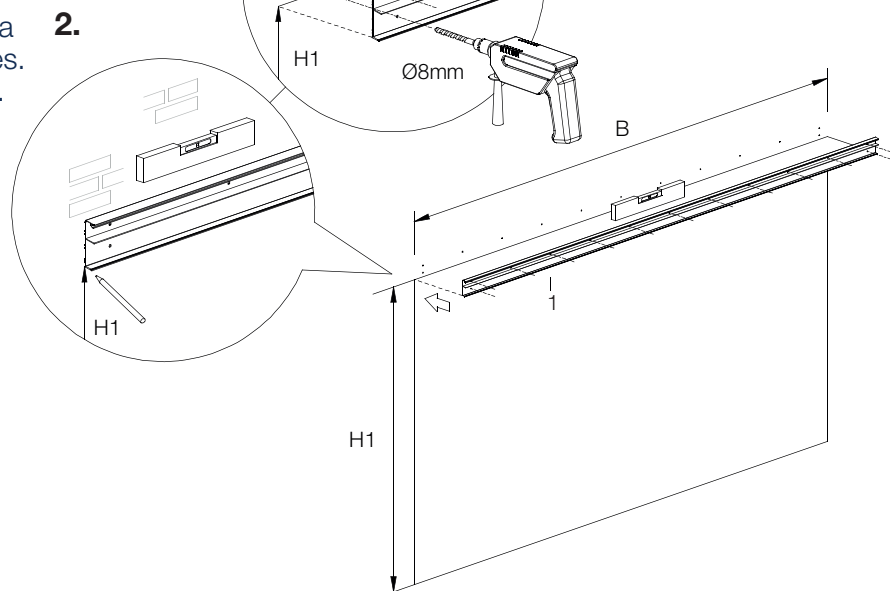
Now mark the wall with a line to indicate where the bottom of the wall profile should be. Place the wall profile on the line and then mark the holes that you pre-drilled in your wall profile.

3.



Step 3

Now use a concrete drill bit with a diameter of 8 mm to drill the holes. Make sure the wall profile is level.



**Step 4**

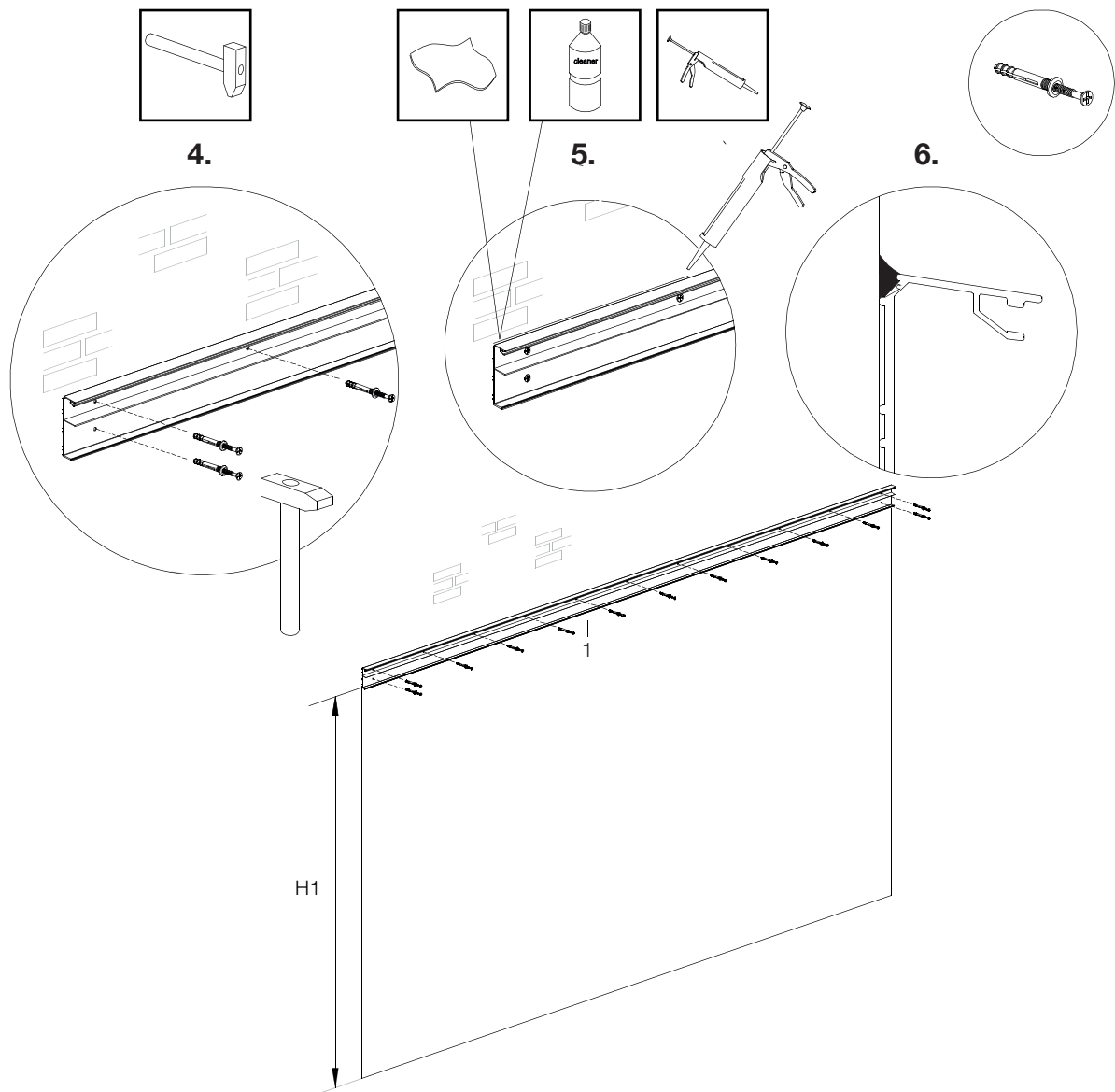
Fasten the wall profile with the supplied frame fixing screws (these should only be used if appropriate for the wall material).

Step 5

Degrease the top edge of the wall profile along the wall.

Step 6

Apply sealant on the top edge of the wall profile (between the wall and the wall profile) to make a good seal. Strike off the sealant to make it smooth and waterproof.





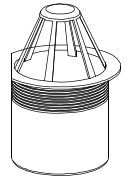
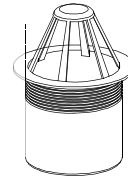
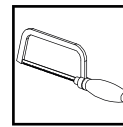
6.2 Pre-assembly of the gutter

If the standard gutter length is correct, you can pre-install it straight away. If not, you must first cut the gutter profile and decorative profile to the desired length.

6.2.1 Installing the leaf catcher in the gutter

Step 1

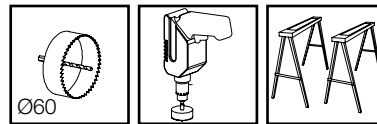
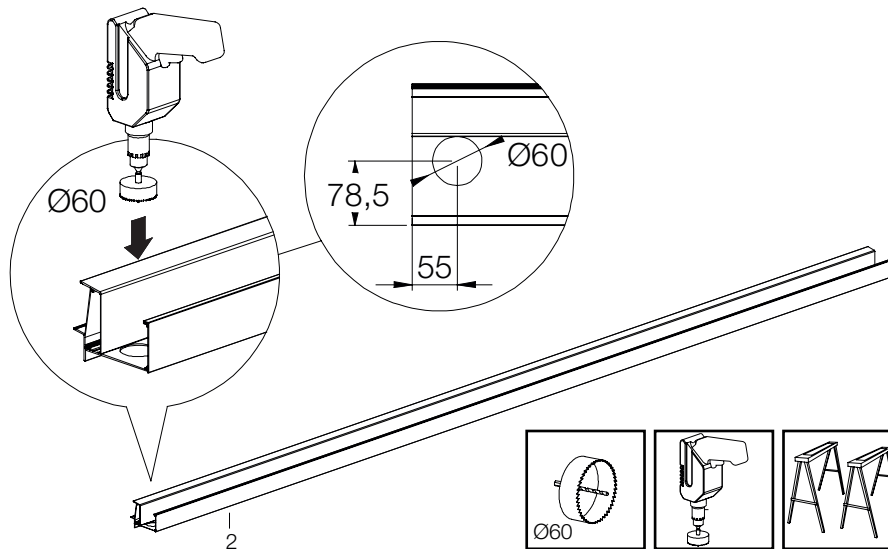
Cut/saw off one end of the leaf catcher so it fits in the gutter profile.



1
4

Step 2

Place the gutter flat and firm on a table or sawhorses. Determine where the rainwater discharge post (and leaf catcher) will be placed, i.e. at the left or right end of the gutter. Mark the position of the hole for the leaf catcher in the gutter. Now carefully drill the hole in the gutter with the $\varnothing 60$ mm hole saw.

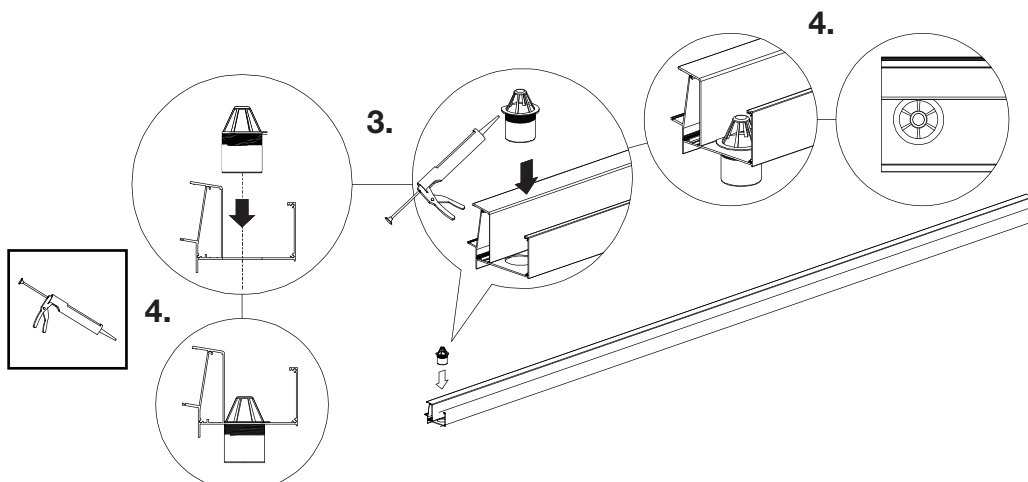


Step 3

Apply sealant to the underside of the leaf catcher.

Step 4

Place the leaf catcher in the hole in the gutter (with the cut side towards the side of the gutter profile with the open chambers). Apply sealant to form a waterproof seal around the leaf catcher.



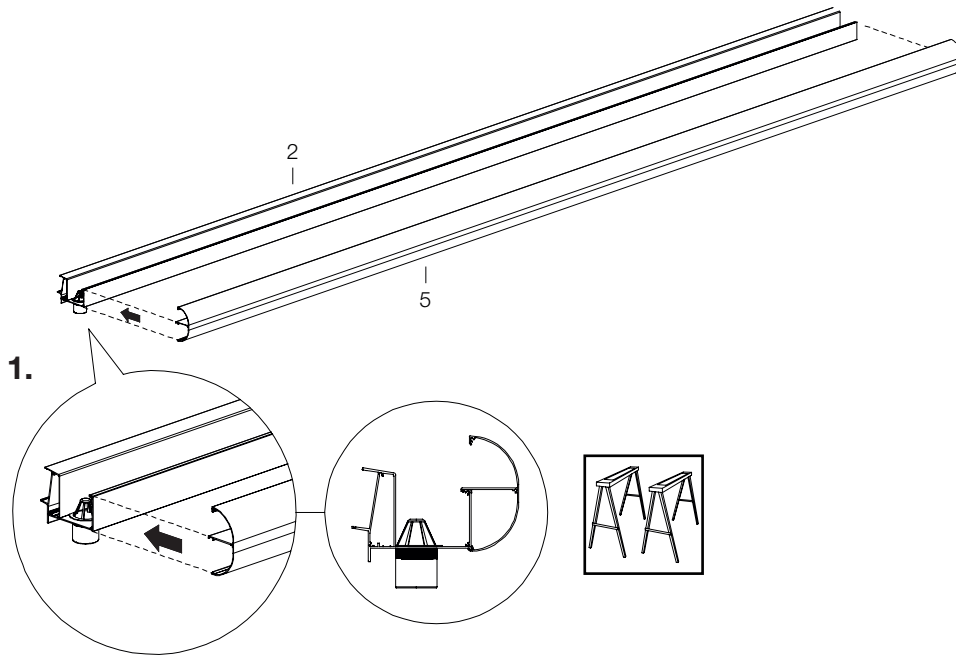


6.2.2 Attaching the decorative profile to the gutter

Step 1

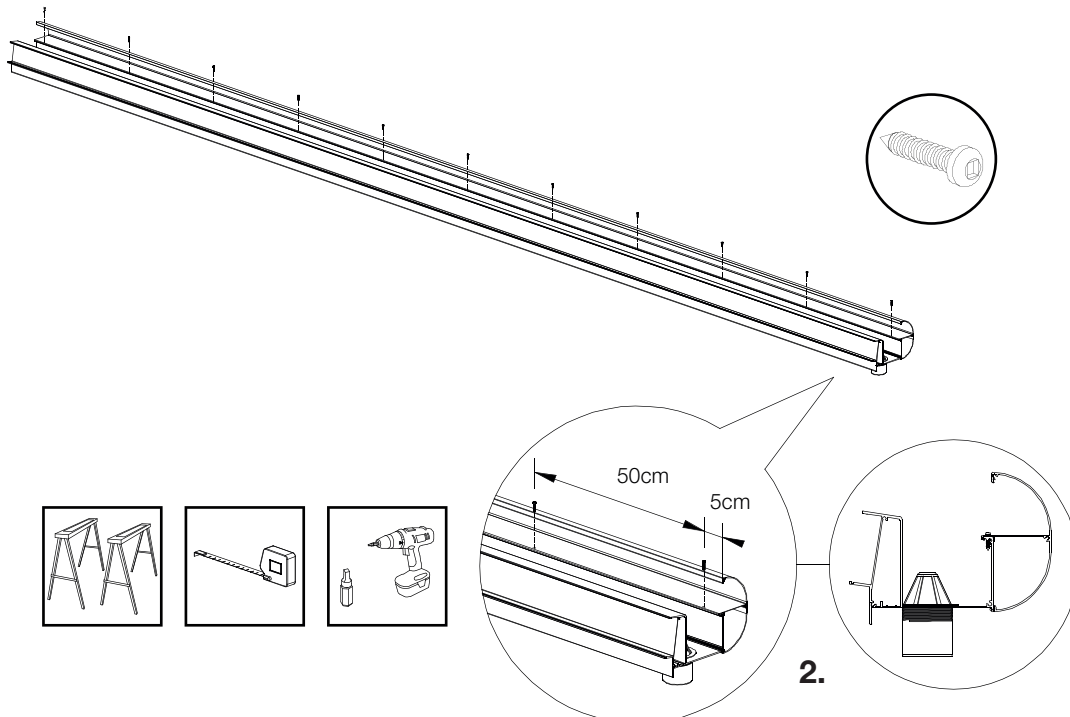
Place the gutter flat and firm on a table or sawhorses.

Place the decorative profile on the top of the gutter and click the bottom of the decorative profile under the gutter.



Step 2

Secure the decorative profile with the supplied short 19 mm stainless steel screws. Begin approximately 5 cm from the end and place a screw approximately every 50 cm. The last screw should be placed approximately 5 cm from the end.





6.2.3 Installing the steel strip in the gutter

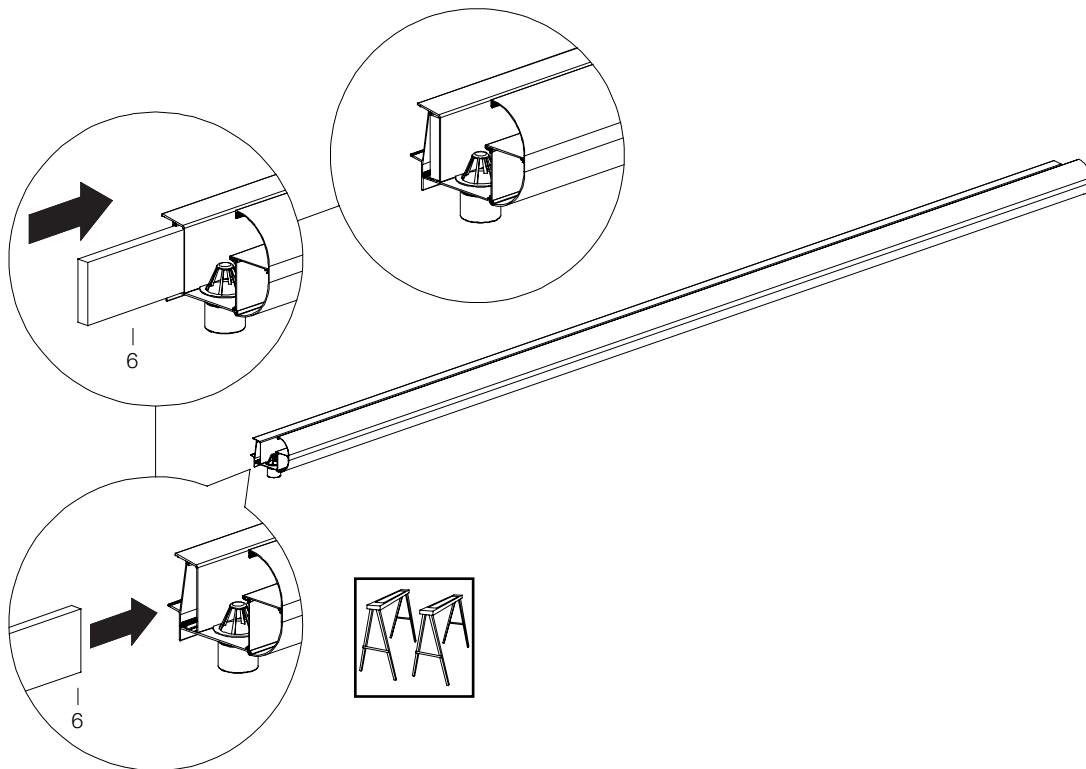
The gutter is fitted with a 20x100 mm steel strip to hold the glass.

Step 1

Place the gutter flat and firm on a table or sawhorses.

Step 2

Slide the steel strip into the gutter. Use a lubricant.

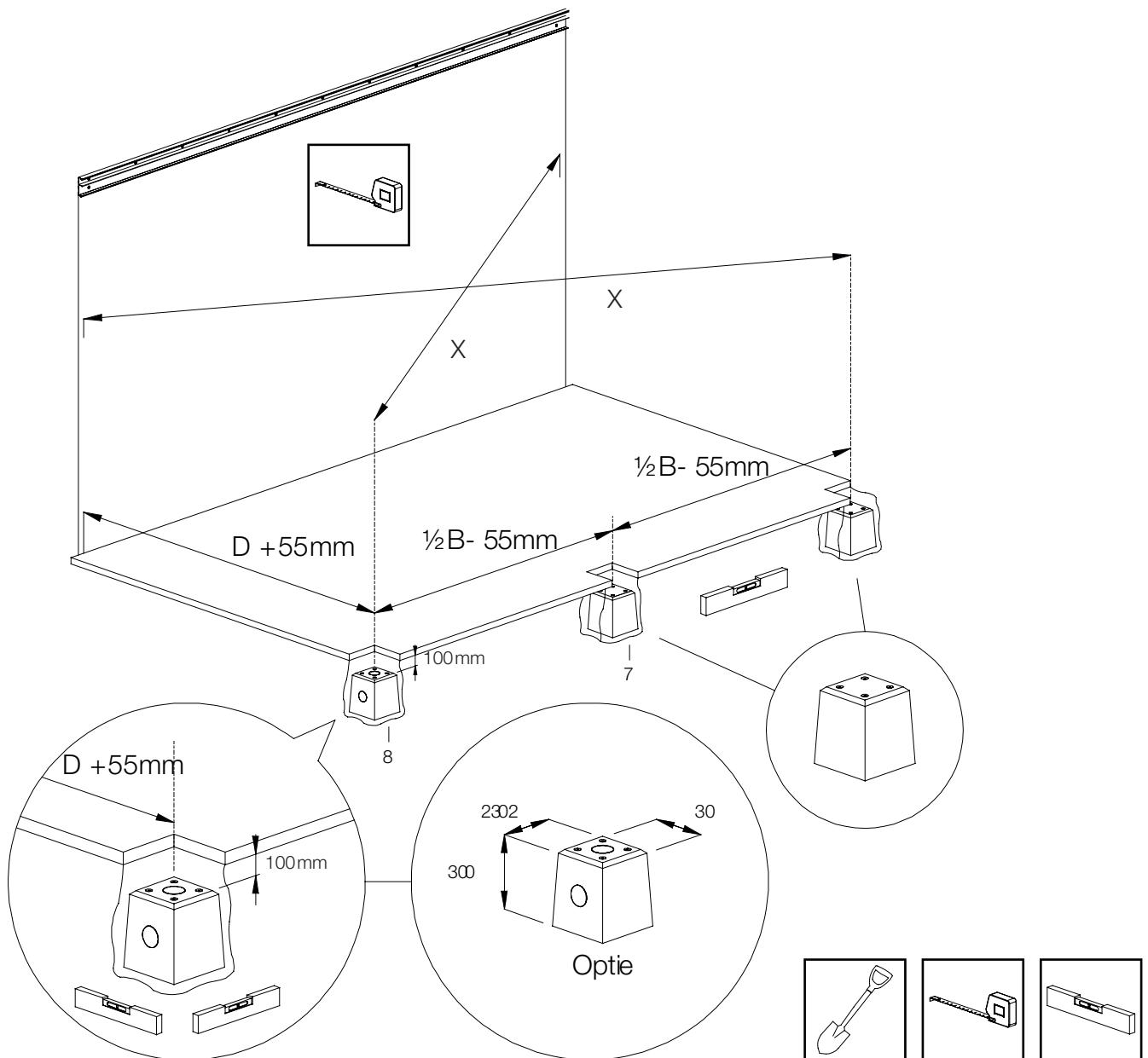




6.3 Installing posts, gutter and end beams

6.3.1 Positioning posts on concrete bases

Determine the positions of the concrete bases and the concrete base with the rainwater discharge. Place the concrete bases in the ground as accurately as possible. Make sure that the top of the concrete base is placed at least 100 mm below ground level, and place them level. Place the centre of the concrete base at distance $L + 55$ mm from the rear of the wall profile. Make sure that the concrete bases are positioned perfectly square. Connect the drain to the side outlet of the rainwater discharge concrete base.





Please note: If you shorten any of the posts, take into account the depth of the concrete bases and the bottom end of the post.

Step 1

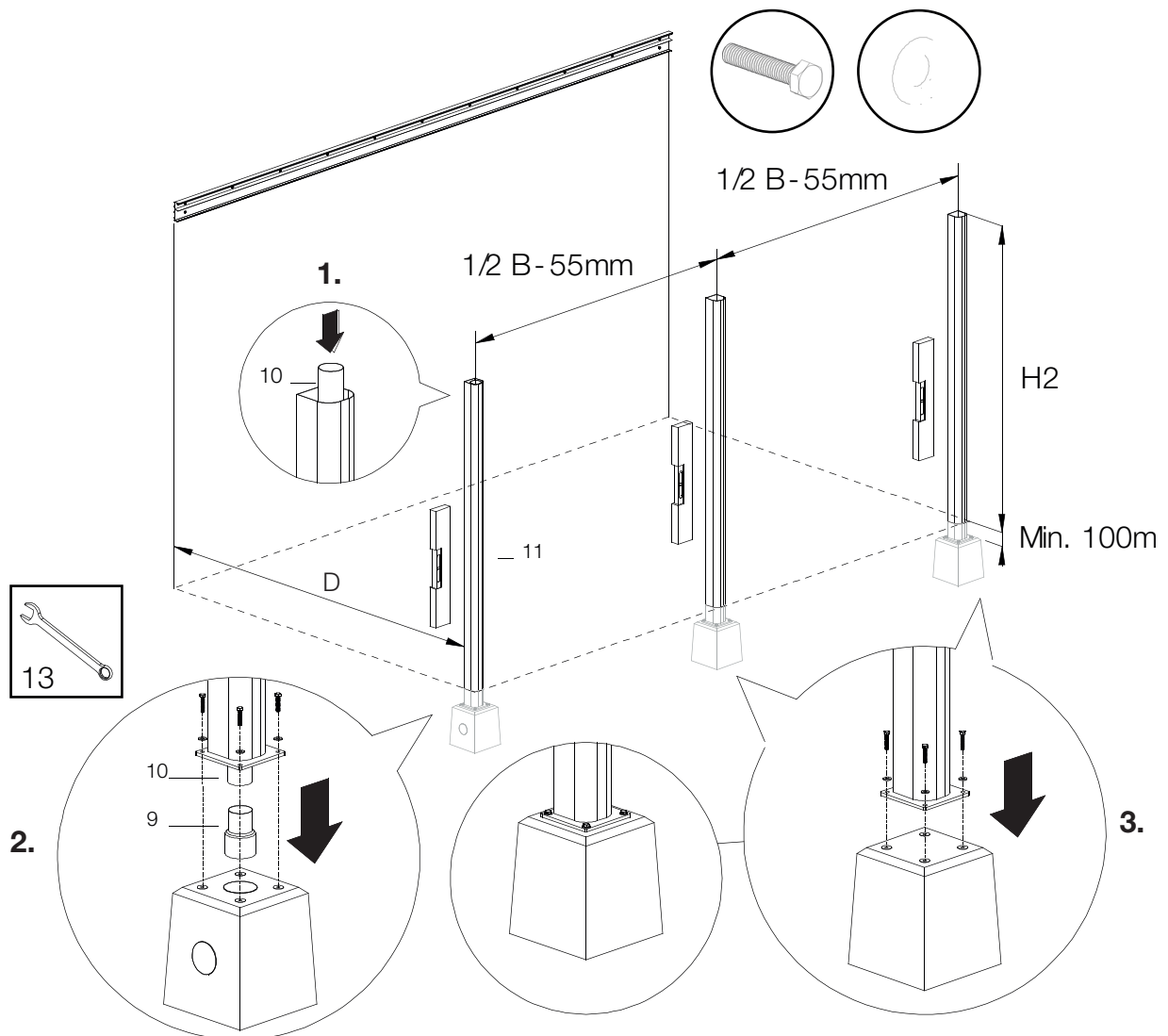
Place the post with the PVC rainwater discharge pipe at the location of the rainwater discharge concrete base.

Step 2

Place the rainwater discharge adapter in the rainwater discharge concrete base and connect the rainwater discharge pipe to the sleeve. Place the post with the rainwater discharge pipe on top of the rainwater discharge concrete base and fasten the post with M8x40 hex bolts (incl. washers). Make sure the post is level.

Step 3

Place the other posts on the concrete bases and secure them so they are plumb.





6.3.2 Installing the gutter

Step 1

Now place the pre-assembled gutter profile on the posts. Make sure the leaf catcher is positioned properly in the PVC rainwater discharge pipe.

Step 2

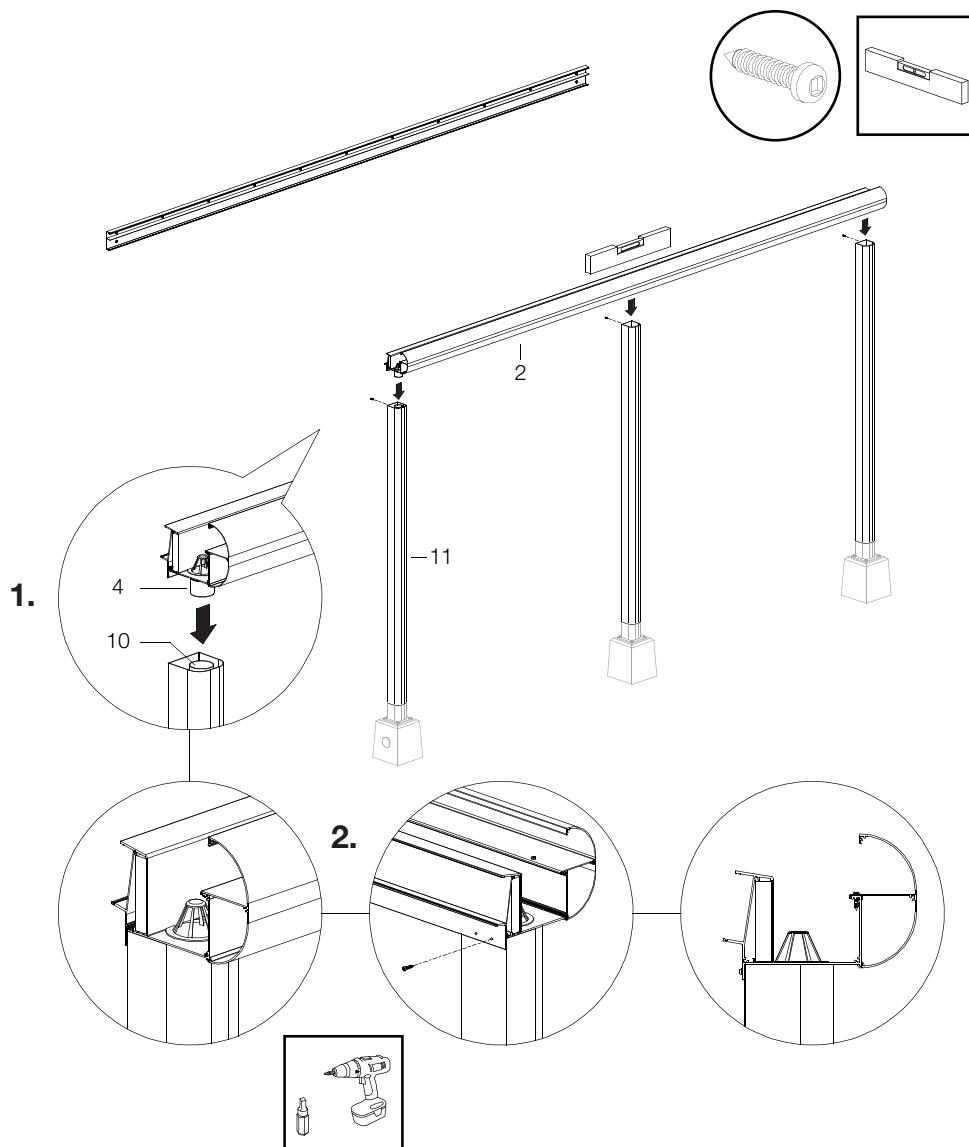
Screw the posts to the gutter using one short screw from the bottom lip of the gutter profile into the post. This allows you to adjust the position of the gutter later if necessary.

Please note: the posts must ultimately be secured with two screws. The first screw should therefore not be fixed in the centre of the post, but approximately one-third of the way from the edge.

Please note: do not use screws or drill through the PVC pipe in one of the posts.

Step 3

Screw 2 screws down from the gutter into the screw channels of the uprights. By doing this the gutter is pulled on the posts.





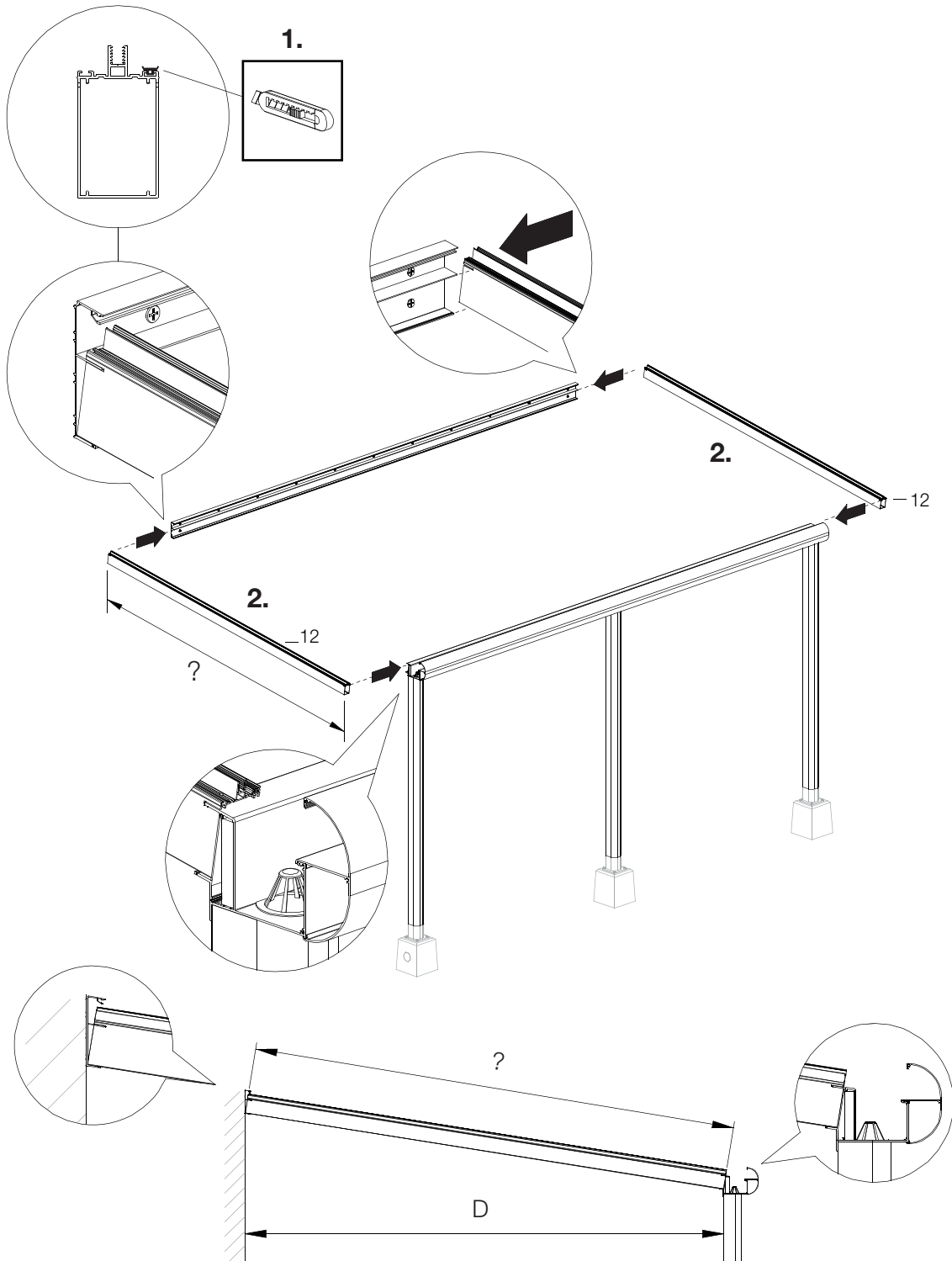
6.3.3 Installing the end beams

Step 1

Carefully cut or trim the pre-fitted rubber seals in the side beams to size.

Step 2

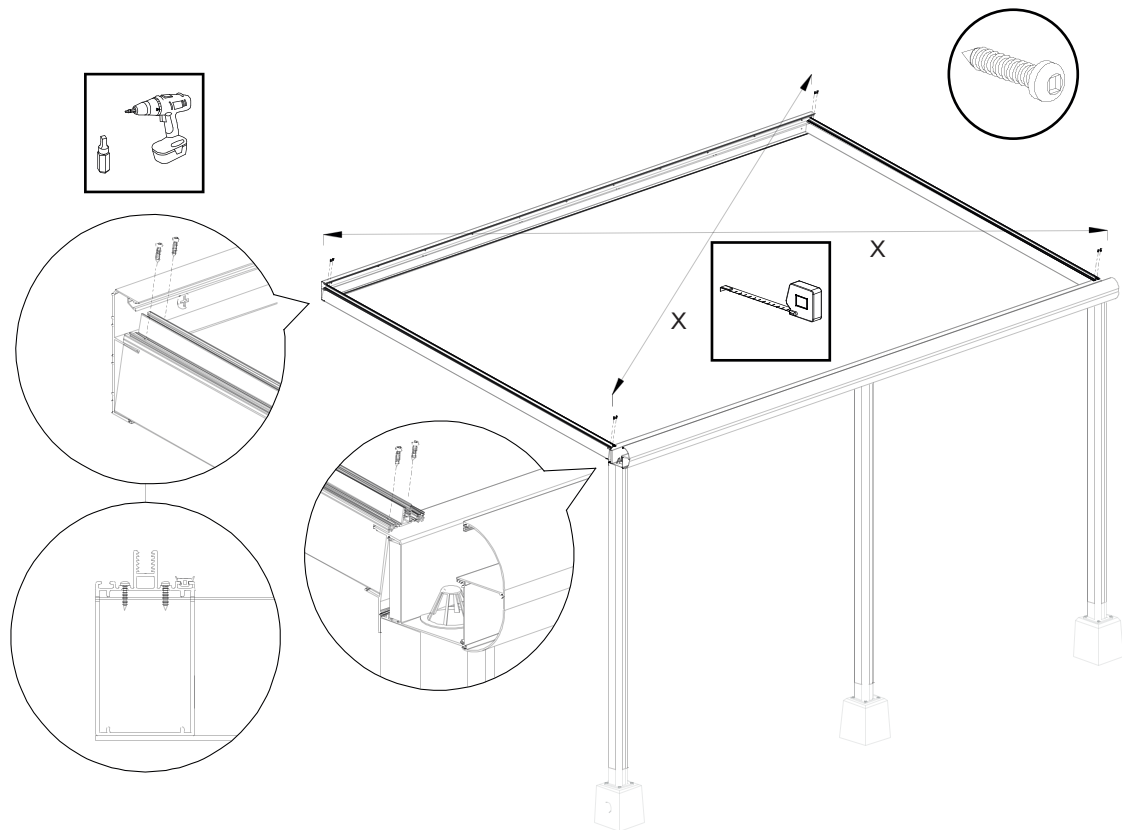
Place the left and right end beams in both the gutter profile and the wall profile, one by one. Make sure that the outer edges of the end beams are flush with the ends of the gutter profile and wall profile.





Step 3

Screw the end beams to both the gutter profile and wall profile from the top with one short screw per end. Make sure the roof is completely square. Secure the end beams with the second screw.





6.4 Installing the middle beams

Please note: if you install Deponti LED lighting, we recommend performing the installation before placing the middle beams.

If you do not shorten the width of your veranda, you can use the trim elements for the gutter as spacers between the beams. The standard panel width is 684 mm, so the middle beams will be spaced exactly 714 mm centre to centre.

Please note: see table on page 14 for the correct dimensions.

Step 1

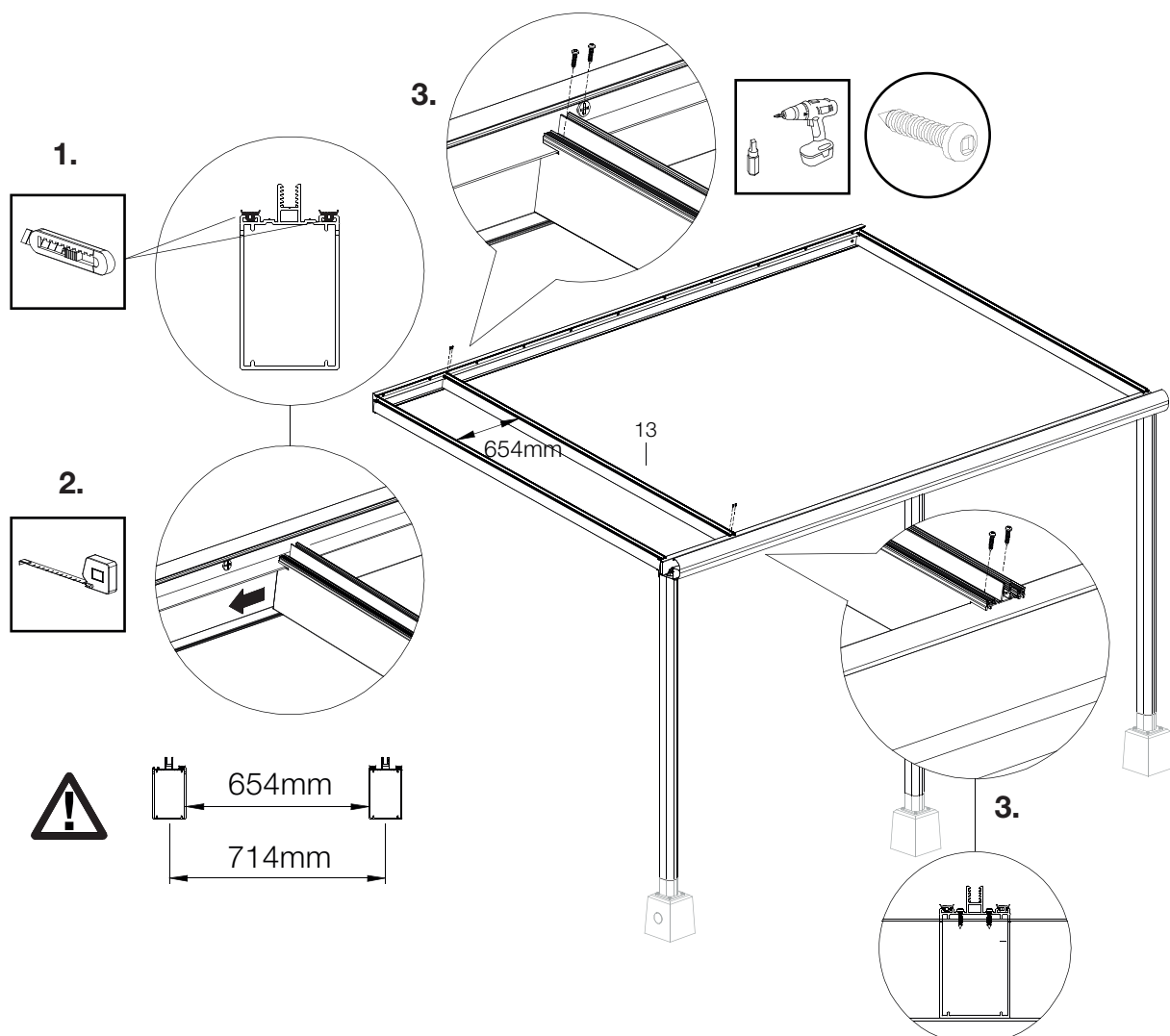
Carefully cut or trim the pre-fitted rubber seals in the middle beams to size.

Step 2

Position the first middle beam at the desired distance in the wall and gutter profile.

Step 3

Secure the middle beam to both the gutter and wall profile using two short screws.





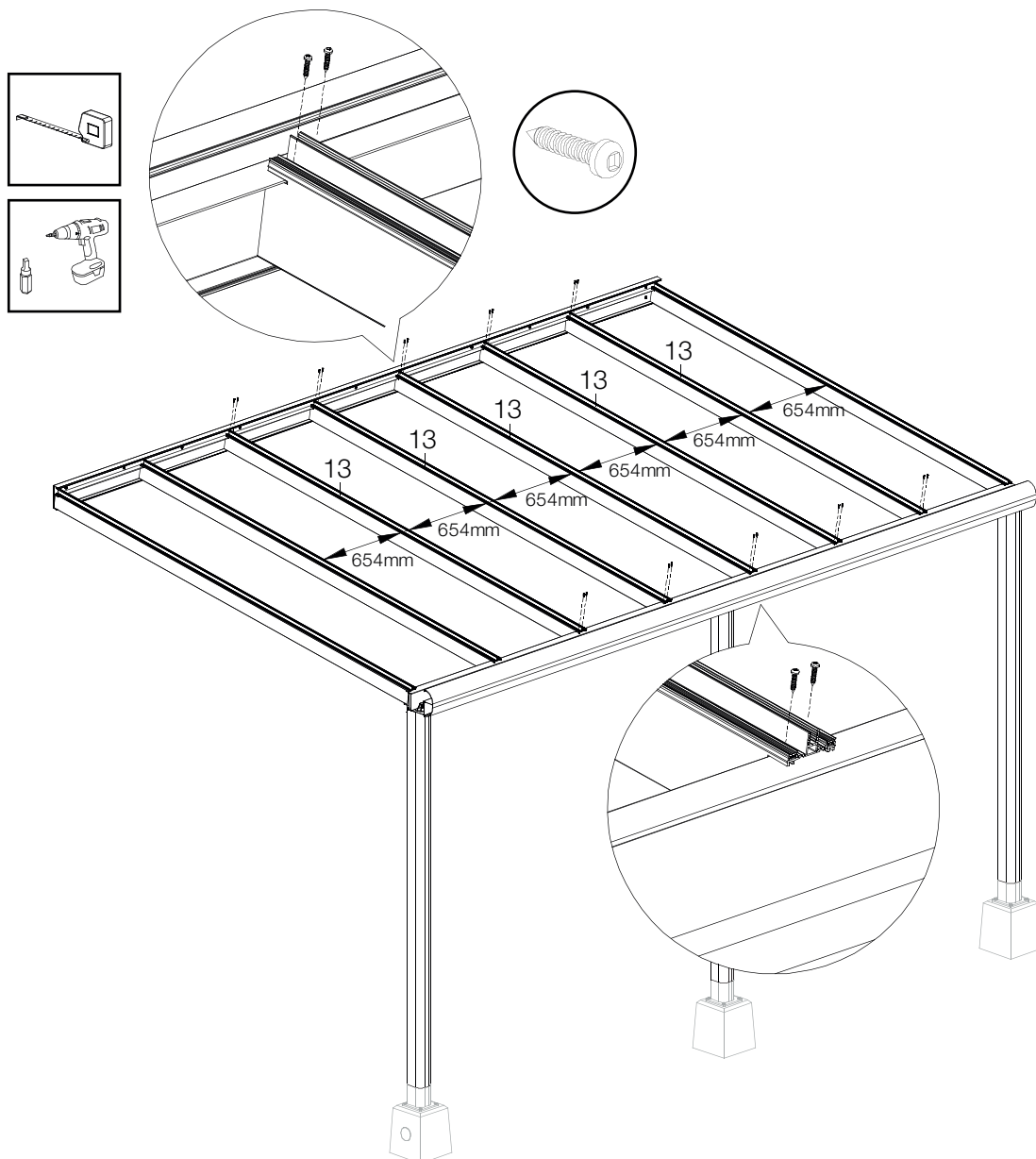
Step 4

Then place the remaining middle beams at the desired distance in the wall and gutter profile.

Please note: see table on page 14 for the correct dimensions.

Step 5

Secure the middle beams to both the gutter and wall profile using two short screws.



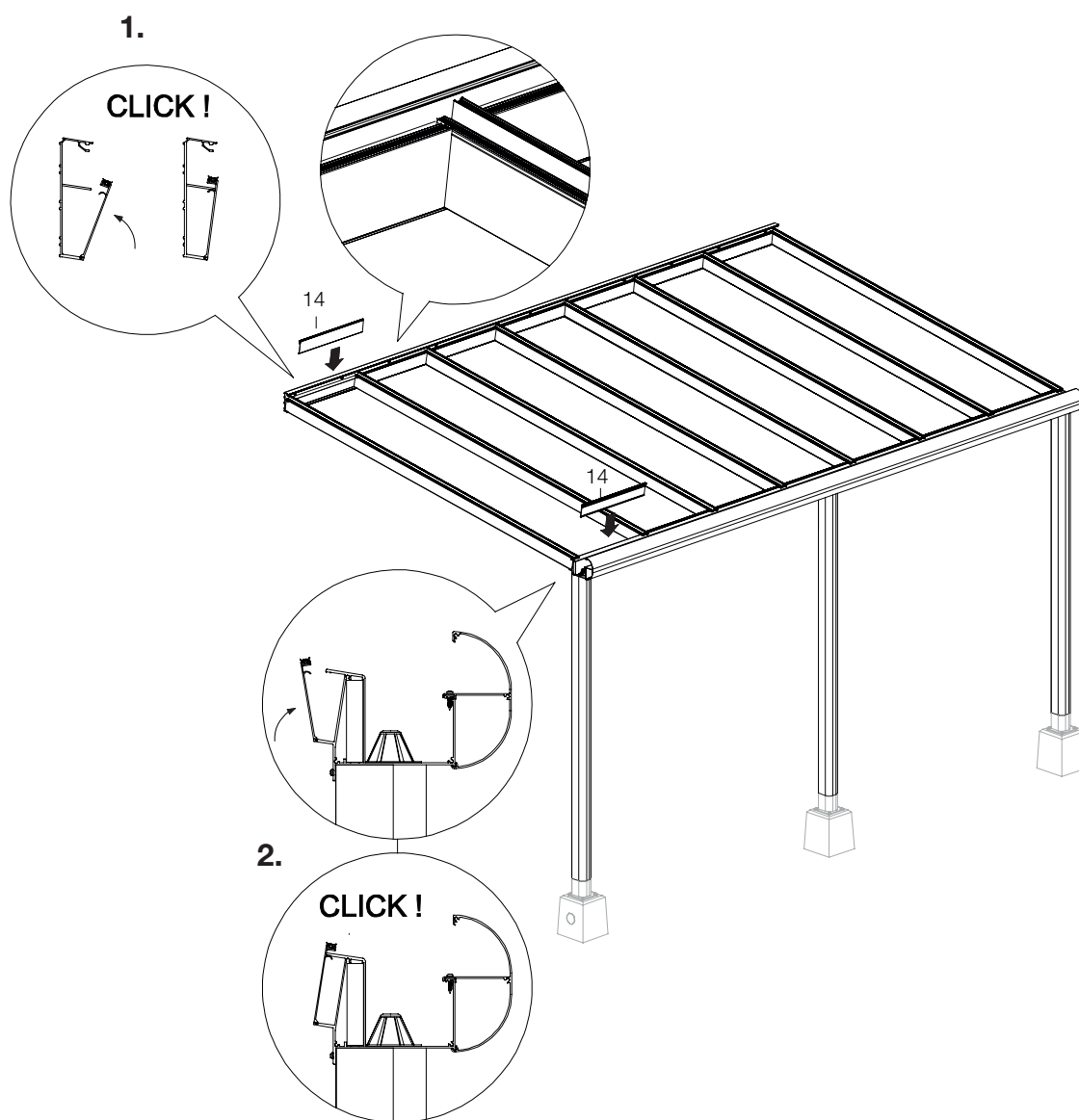
Please note: if Deponti LED lighting is installed, make sure all the cabling is properly positioned and connected before the inside trim covers are fitted. We recommend placing the transformer behind a trim click strip so it will be easily accessible for future service.

Step 1

Place the inner side covers in the wall profile.

Step 2

Place the inner side covers in the gutter profile.





6.5 Installation of glass panels

Step 1

Place the first glass panel between the beams.

Please note: The length of the glass is equal to the length of the roof + 20 mm. The glass panel extends approximately 25 mm beyond the beam on both sides.

Step 2

Carefully cut the pre-fitted rubber seals in the aluminium end cover strip to size.

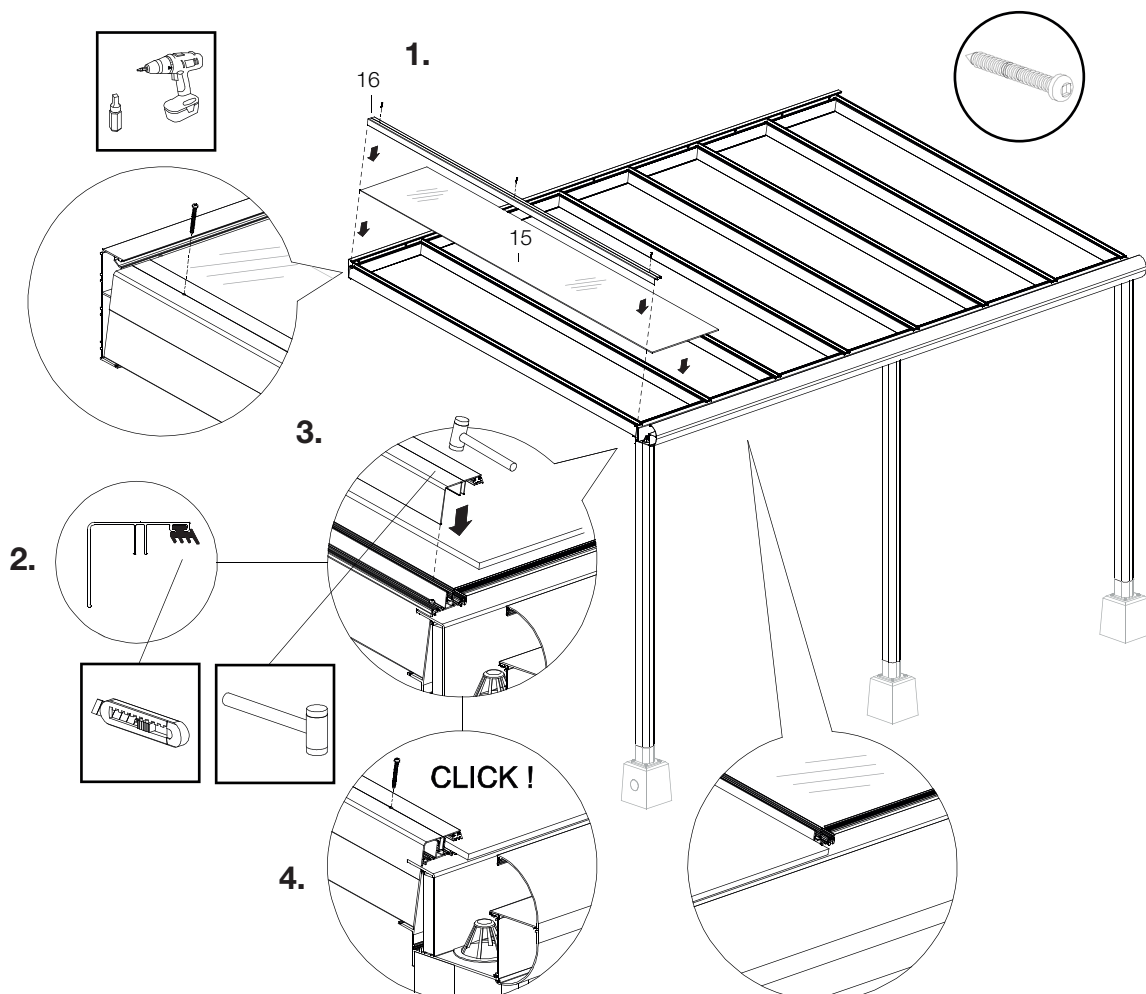
Step 3

Pre-drill the end cover strip with a 3 mm drill bit (1 top – 1 bottom – 1 middle).

Fit the end cover strip. Position the cover strip flush with the beam at the wall and gutter ends. At the wall end the cover strip fits just a bit under the wall profile for extra anchoring. Once the strip is positioned correctly, click the trim click strip into the end beam (use a rubber mallet).

Step 4

Now screw the end cover strip to three points on the end beam with long stainless steel screws (1 top – 1 bottom – 1 middle).





Step 5

Place the second glass panel between the beams.

Step 6

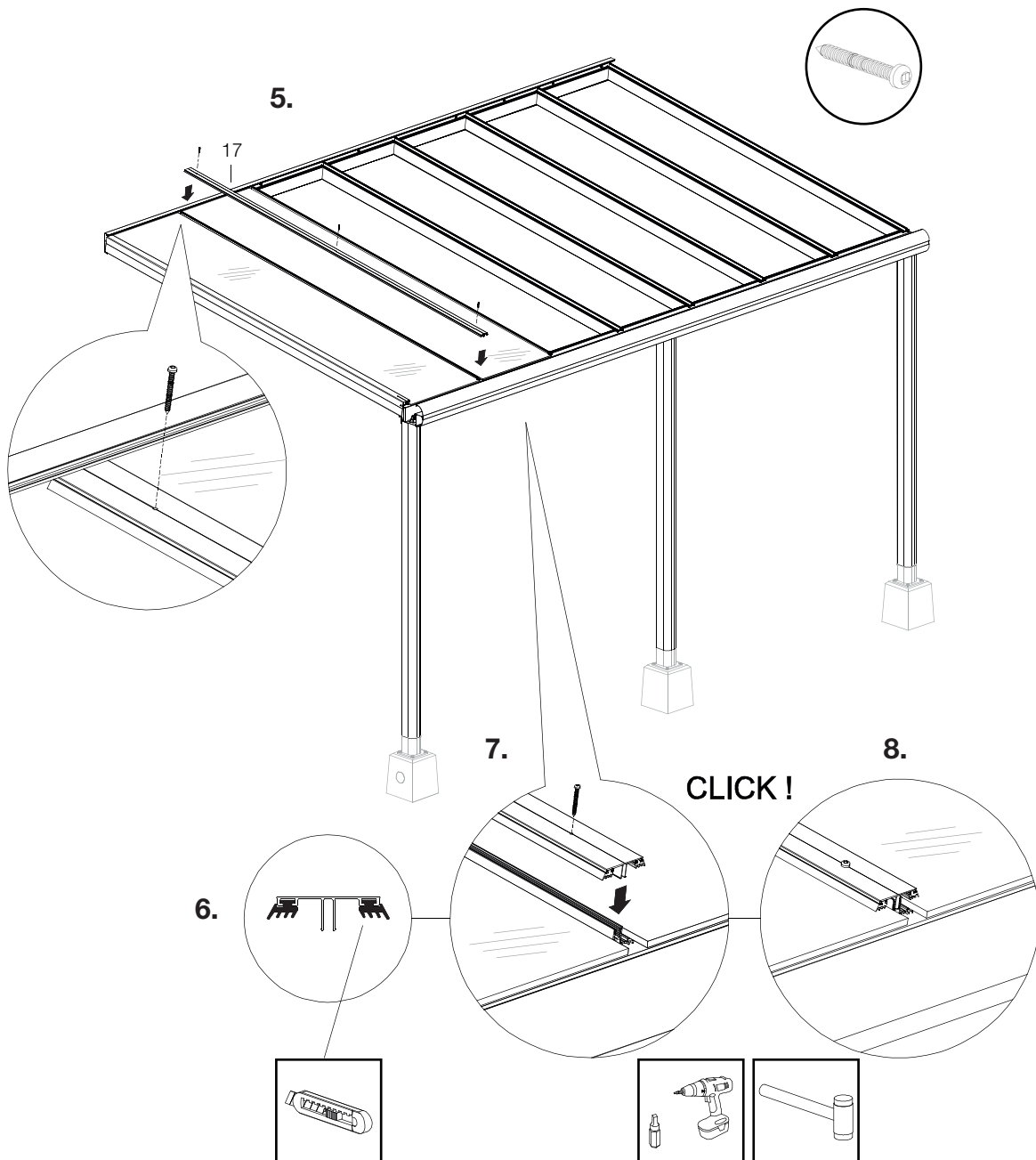
Carefully cut the pre-fitted rubber seals in the aluminium middle cover strip to size.

Step 7

Pre-drill the middle cover strip with a 3 mm drill bit (1 top – 1 bottom – 1 middle).
Fit the middle cover strip. At the wall end the cover strip fits just a bit under the wall profile for extra anchoring. Once the strip is positioned correctly, click the trim click strip into the middle beam (use a rubber mallet).

Step 8

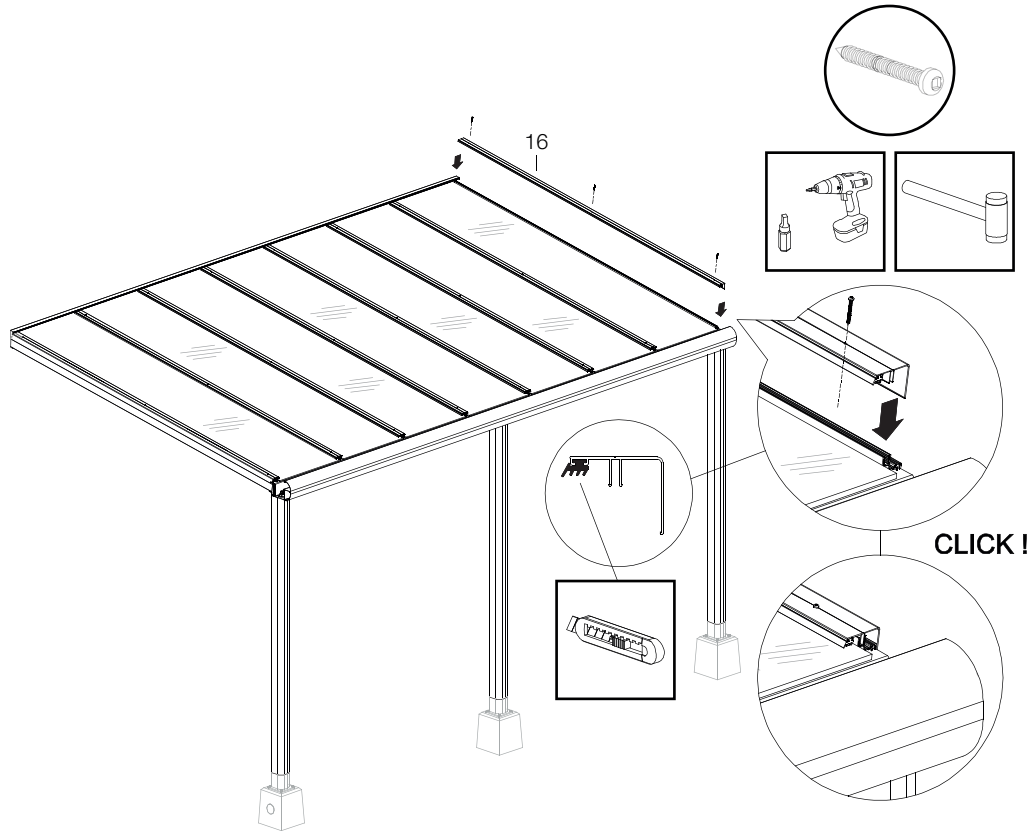
Now screw the middle cover strip to three points on the middle beam with long stainless steel screws (1 top – 1 bottom – 1 middle).





Step 9

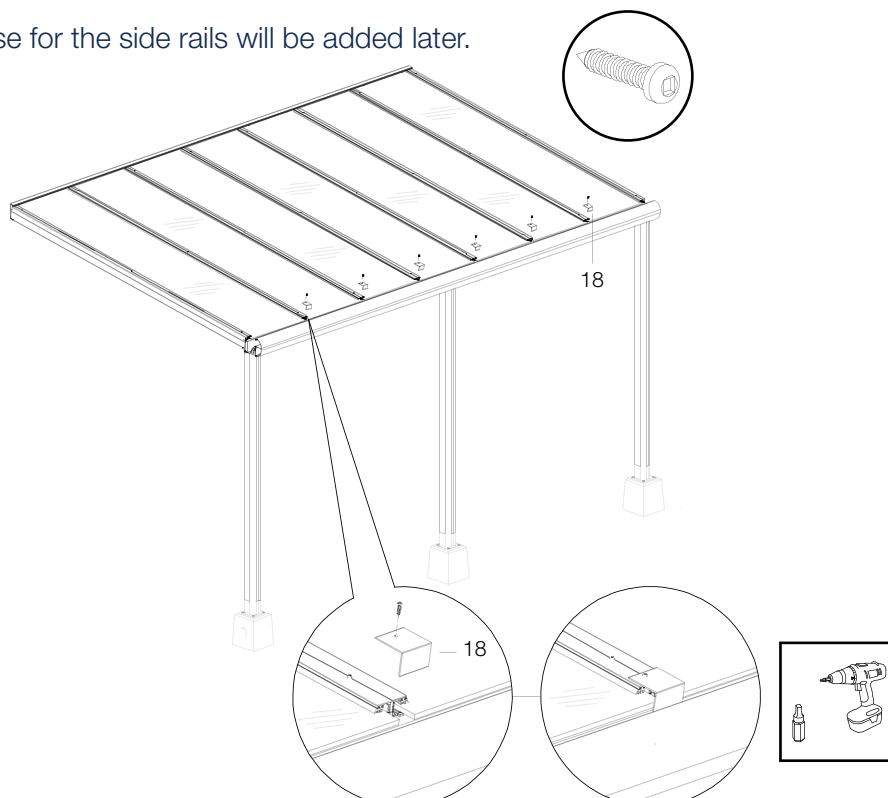
Repeat steps 1 to 8 on pages 29 and 30 to install the remaining cover strips.



Step 10

Now use screws to attach a sheet stopper to each middle beam near the gutter as an extra safety measure.

Please note: the fuse for the side rails will be added later.





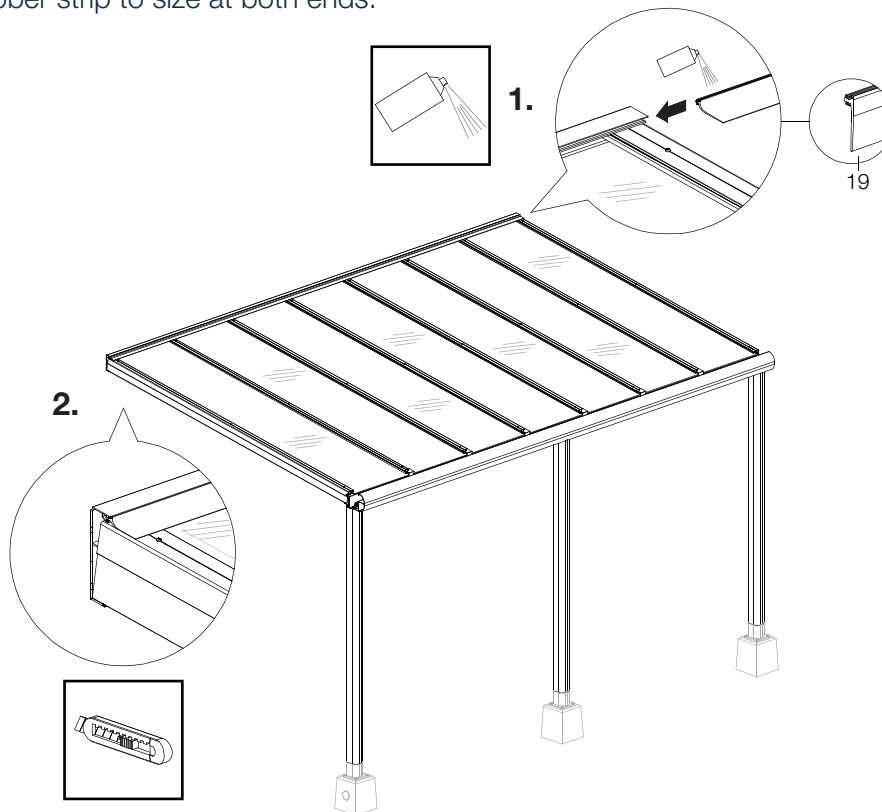
6.6 Finishing

Step 1

Position the rubber strip in the wall profile properly so it covers the sheets and cover strips.

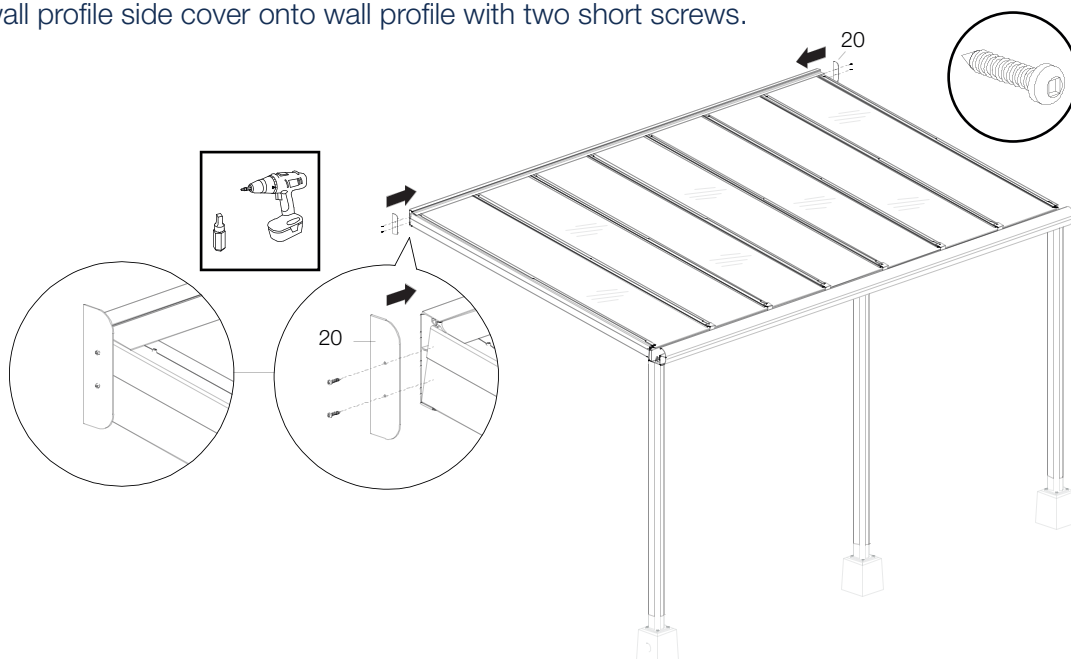
Step 2

Carefully cut the rubber strip to size at both ends.



Step 3

Screw the wall profile side cover onto wall profile with two short screws.





Step 4

Apply sealant to both ends of the gutter profile and decorative profile.

Step 5

(Optional – When using a gasket instead of sealant)

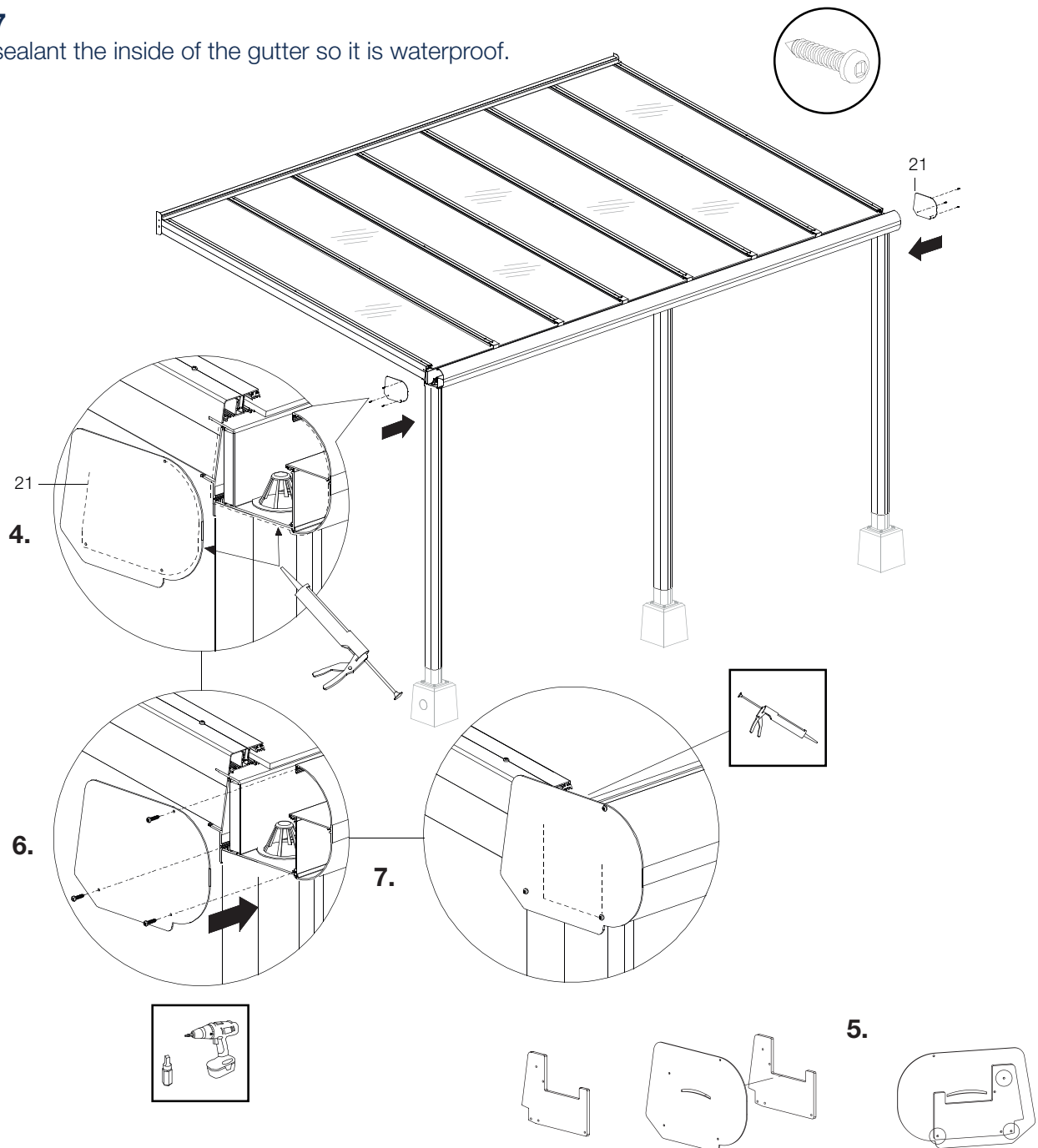
1. Remove the protective film from the gasket.
2. Apply the gasket to the side cover. Ensure that the screw holes match exactly with those on the side cover.

Step 6

Carefully screw the decorative profile side cover to the gutter profile and the decorative profile with the short screws in the guides provided for this purpose.

Step 7

Apply sealant the inside of the gutter so it is waterproof.

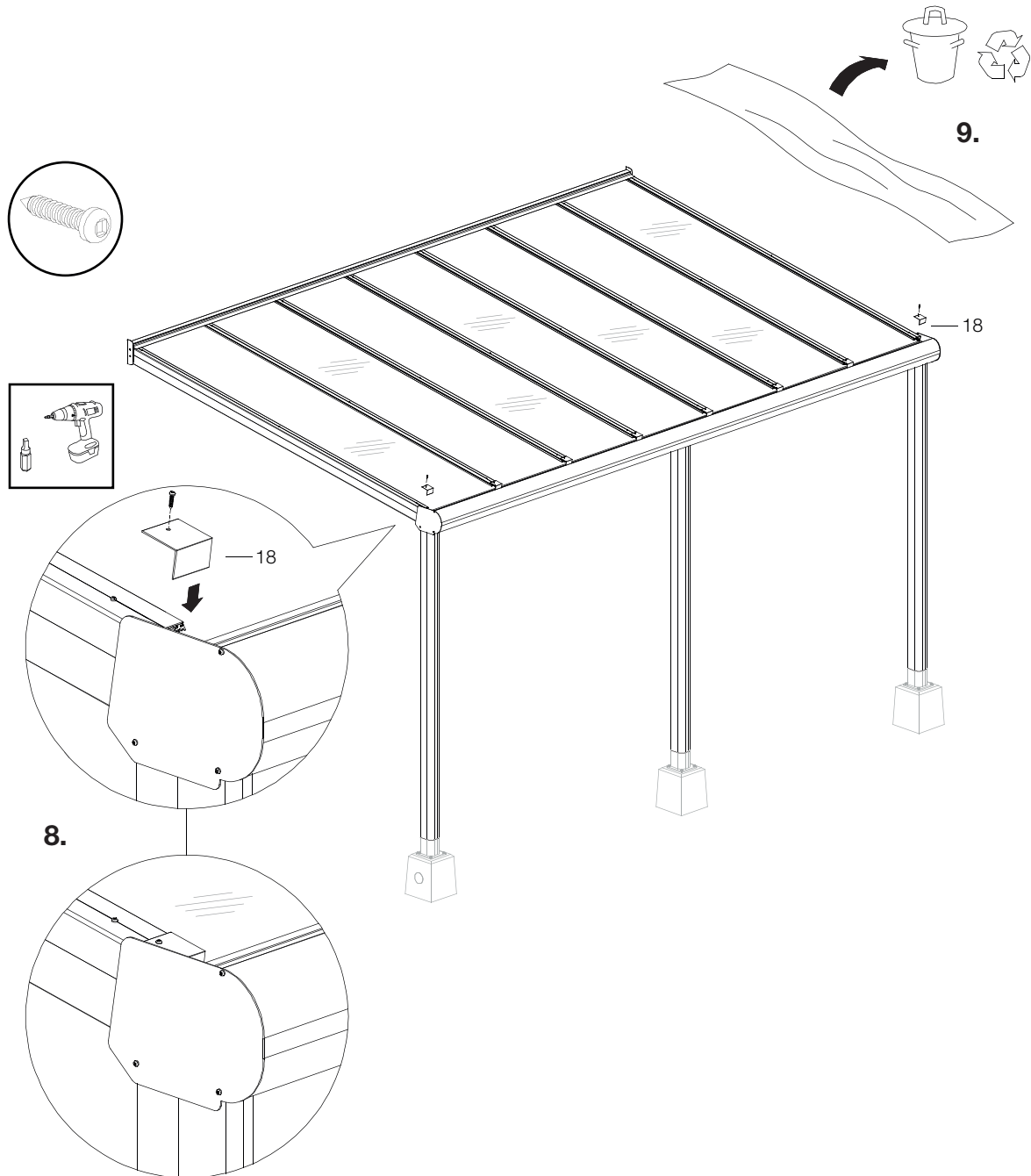


**Step 8**

Now attach the sheet stoppers to the cover strips of the end beams with the short screws.

Step 9

Remove the remaining protective film from the aluminium parts.

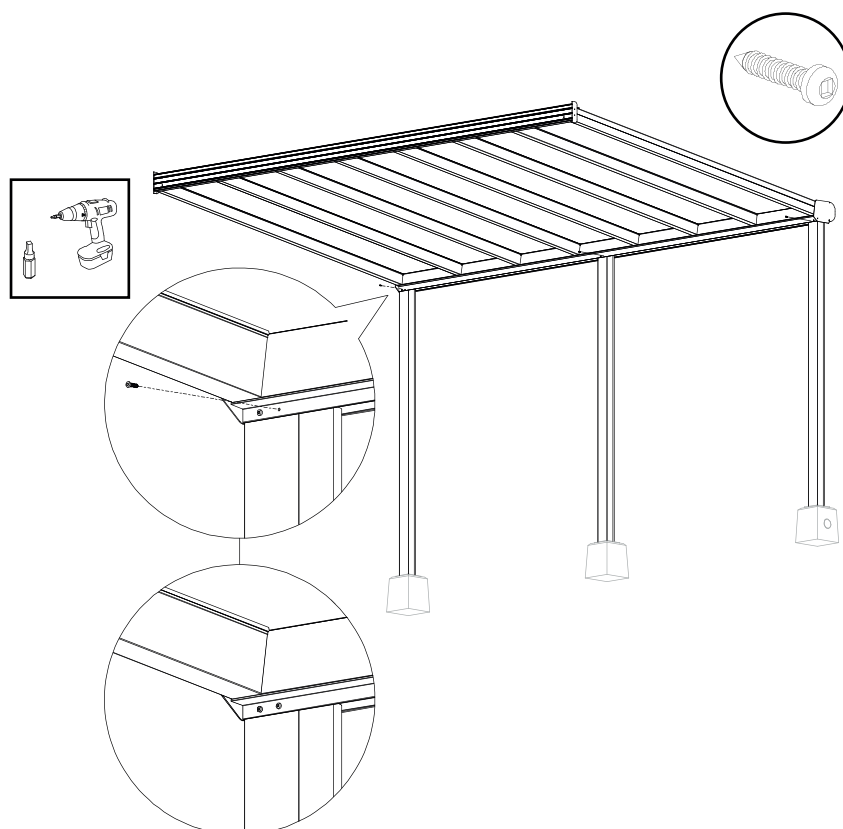


Step 10

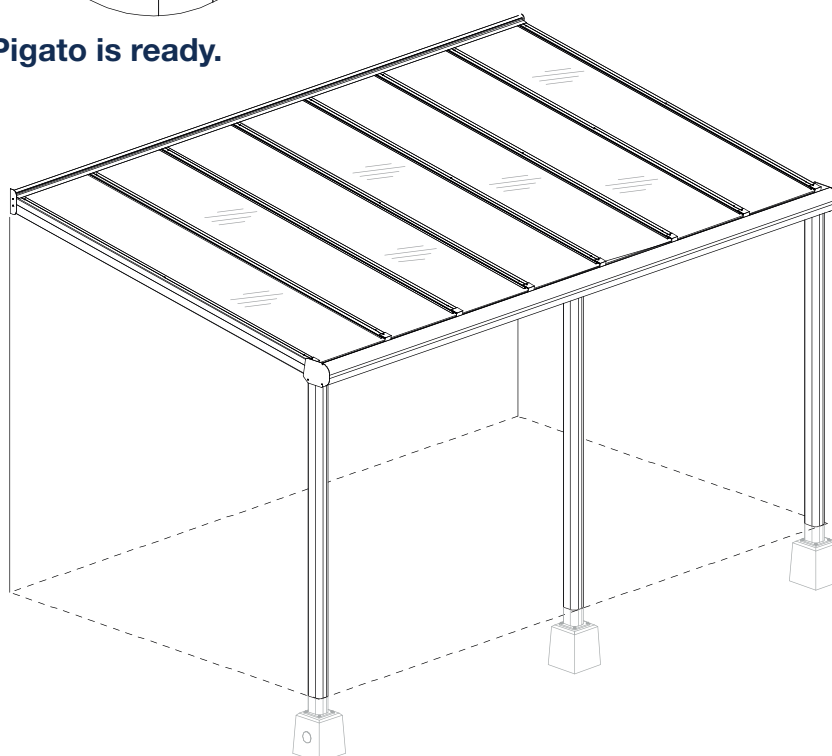
Secure your posts with the second short screw.

Step 11

If there is a small gap between the top of the posts and the gutter you can seal it with sealant.



There you go! The Pigato is ready.





7. Maintenance

We recommend maintaining and cleaning this veranda at least once a year. Check that the screws are still tight. If not, tighten them properly.
The aluminium profiles and roofing sheets that are dirty can be cleaned with lukewarm water and a cleaning product.

- Use a soft brush or sponge.
- Please note: never use abrasives, aggressive solvents or high-pressure sprayers.
- Rinse thoroughly with plenty of water and then wipe with a soft cloth.

8. Disposal of waste

Dispose of the product in accordance with local laws and regulations.

9. Warranty conditions

Warranty in accordance with Deponti's warranty conditions and general terms and conditions. These can be found on the website www.deponti.com.

The powder coating comes with a 5-year warranty. Please note: the powder coating warranty for aluminium parts is two years if the product is installed in a location where it comes into contact with salt or chemical vapour (such as at ports, coastal areas and swimming pools).

10. Contact

Important: The Deponti partner is your first point of contact for questions and comments.